

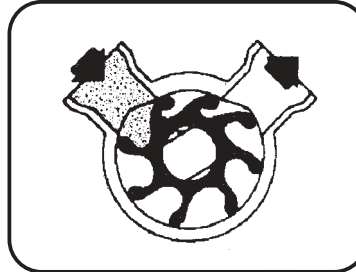
Features:

- **Versatile:** The flexible impeller pump combines the priming feature of positive displacement type pumps with the general transfer ability of centrifugals. It will pump either thin or viscous liquids and can handle more solids in suspension than other types of rotary pumps. It operates at low or high speeds - can be mounted at any angle and pumps in either direction with equal efficiency.
- **Self-Priming:** Pumps instantly, with dry suction, lifts up to 10ft (3m); up to 25ft (8m) when wetted. Permits cleaner, safer installations. No foot valve required.
- **Simplicity:** One moving part - a tough, long-lived, wear-resistant flexible impeller, lubricated by the liquid being pumped. No metal-to-metal pumping action - no gears to jam, clog or become noisy.
- **More Capacity:** Flexible impeller pumps, in general, require less space because they deliver greater flow for weight, size and price than other types of pumps.

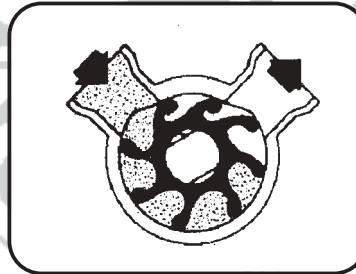
The data given for the engine cooling systems and pump selection is for guidance only. It does not cover High Performance Engines. You should always consult the Engine Mariner.

Jabsco original Flexible Impeller Pumps - Pedestal, Clutch & Engine Cooling

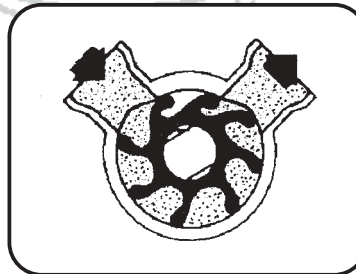
How it works:



Flexible vanes create increased volume when leaving the eccentric cam creating a vacuum thus drawing in liquid, instantly priming the pump.



As the flexible vanes rotate, the liquid is carried through the pump from the inlet to outlet port, each successive vane drawing in liquid.



When the flexible vanes again contact the eccentric cam they bend with a squeezing action which provides a continuous, uniform discharge of liquid.

Pressure Ranges

Standard Impellers

Suitable for continuous operation up to the following limits:

- 1/4", 3/8" and 1/2" port sizes to 40ft (12m) head, 17.3psi (1.2 bar).
- 1" to 2" port sizes to 70ft (20m) head, 30.3 psi (2 bar).

Special high pressure impellers

Available for certain models. Impeller life will be extended by operating in the lower portion of recommended pressure range.

Temperature Range

- 45° to 180°F (7° - 80°C)

For fluids less than 45°F (7°C) consult with the factory.

Operating Speeds

Plain Bearing Pumps

- Do not exceed 2100 RPM.

Ball Bearing Pumps

- 1/4" or 1/2" ports: 3600 RPM max.
- 3/4" or 1" ports: 3000 RPM max.
- 1 1/4" ports: 2200 RPM max.
- 2" ports: 2200 RPM max.



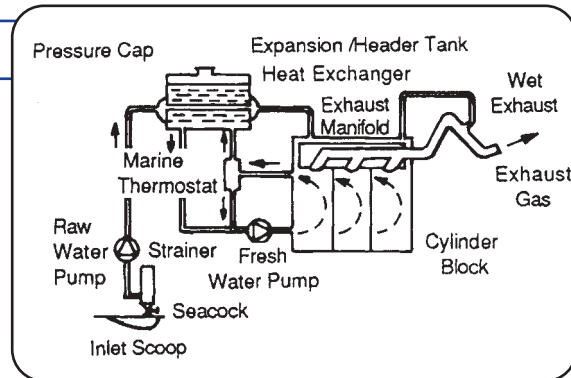
It is important that Jabsco engine cooling pumps and systems are matched during the design of ship's engine installations. Once installed, safety margins must be safeguarded, i.e. the emphasis must be on PREVENTIVE, not corrective maintenance.

Cooling systems most commonly used for marine propulsion engines are:

- Heat exchanger cooling
- Keel cooling
- Direct cooling

Heat Exchanger Cooling

This is also known as a closed system, i.e. the primary cooling circuit is isolated from the surrounding atmosphere. A centrifugal pump circulates fresh, treated water through the cylinder block passages and around the tube stack of a heat exchanger. The Jabsco raw water pump draws raw water (from sea or lake) through the ship's hull inlet and pumps it through the heat exchanger tubes where it removes the heat transmitted from the primary circuit before discharging overboard.



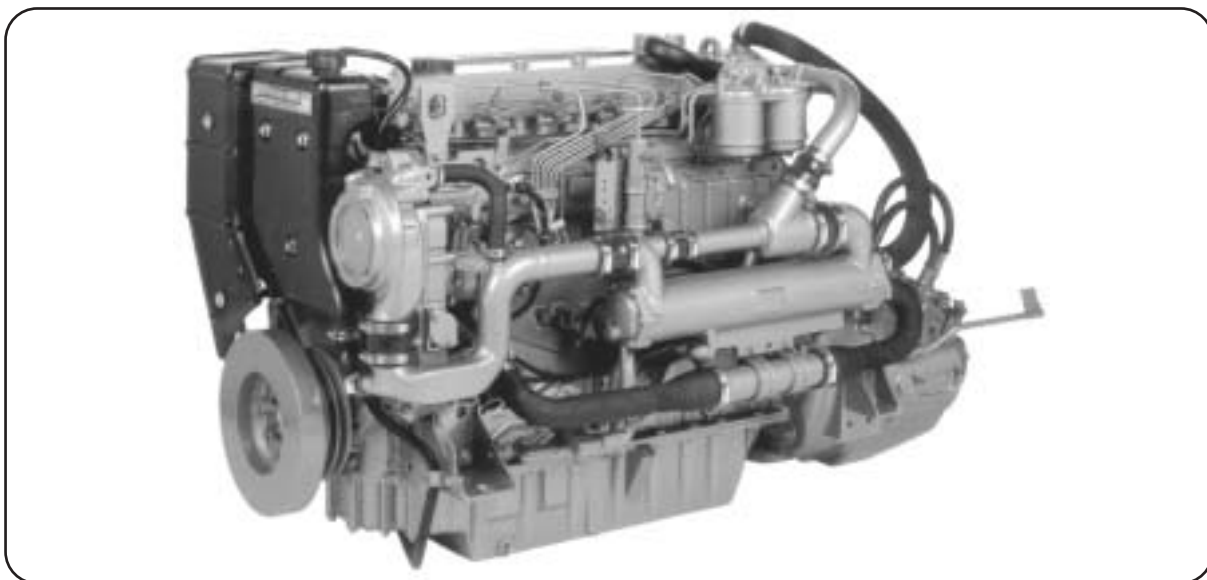
The **heat exchanger**, which can be single-pass or two-pass type, should be capable of handling approximately 10% more than the maximum engine heat rejection rate and may be fitted separately or as an integral part of the expansion/header tank. This tank allows venting of air or combustion gases absorbed by the cooling water during engine operation and provides a positive pressure on the fresh water pump inlet. This pump, fitted in the coldest part of the primary circuit, has a capacity which will maintain a water temperature differential of approximately 45° F (8°C) across the cylinder block at full load. The engine operating temperature is regulated by a marine thermostat to about 185° F (85°C) on most engines. To provide an adequate safety margin for commercial diesel engines, which may be expected to operate more than 2500-3000 hours per year, size and rpm of the Jabsco raw water pump should be selected to give a flow capacity of approximately 15 GPM for every 100 HP maximum engine load and rpm.

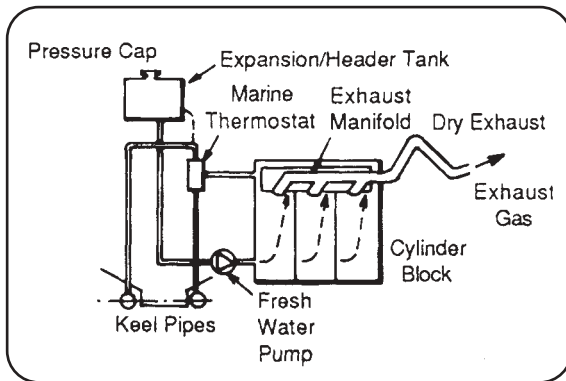
If an exhaust manifold is fitted in the raw water or fresh water circuit, the raw water pump flow capacity should be 10-15% higher.

Additional coolers, such as oil coolers, charge air coolers, must be fitted AFTER the pump but in a compromise between reliability, size and weight, and pump delivery. Head should be about 10-13 psi of water at maximum rpm.

Safety margins in pump inlet systems, are extremely critical so any restrictions or bends, other than seacock and inlet strainers, are to be avoided at all costs (see also Suction Systems).

Raw water from the exhaust manifold is often injected into the exhaust pipe (AFTER an exhaust elbow to prevent raw water flowback into the cylinders) which may then be ducted through areas where a hot pipe would create a hazard. This is known as a WET EXHAUST system. In addition, mixing of water with exhaust gases will reduce exhaust noise. However, on small engines the raw water flow should not be less than 2½-4 GPM for adequate silencing.





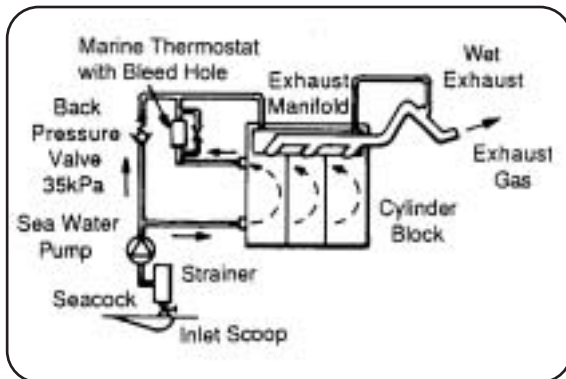
Keel Cooling

In principle this is similar to a heat exchanger cooled system but raw water circuit and heat exchanger have been replaced by pipes attached externally to the vessel's keel.

Pipe bore and surface area must be adequate for effective dissipation of heat from the primary circuit to sea or river water. In some installations where, due to system pressure losses through keel pipes, cylinder block and exhaust manifold, the flow capacity of the centrifugal circulating pump is insufficient, a Jabsco pump may be used (flow capacity approximately 30 GPM for every 100 HP at maximum engine load and rpm). Alternatively, the ship's steel hull may be used as the cooling surface and the heat transmitted directly to the surrounding sea or river water from a tank welded inside to the bottom.

The "dry" exhaust can be made a "wet" exhaust by a separate raw water pump.

The expansion/header tank may be fitted separately in which case it must be connected directly to the circulating pump inlet and the primary circuit adequately vented into the tank.



Direct Cooling

Raw water is pumped directly through the engine block. However, as the temperature of the water entering the block is ambient, the outlet temperature needs to be much lower than in an indirect cooled engine, to reduce the formation of scale and salt deposits and thermal stresses in the cylinder block.

Lower operating temperature means that engine performance will be considerably less efficient and direct cooling systems should therefore not be used on commercial craft engines.

For weekend pleasure craft engines which operate no more than 50-100 hours per year, reliability margins will probably be maintained for a number of years until deposits in the engine cooling passages will begin to affect heat transfer to the cooling water.

Engine operating temperature is best controlled by a marine thermostat, rather than a manually operated valve.

For cold engine start, the thermostat will be closed and most of the cooling water (about 10 GPM for every 100 HP at full load and speed) will bypass the engine via a spring loaded back pressure valve and discharge into the exhaust manifold. A small bleed hole in the thermostat will ensure a slow circulation of cooling water through the cylinder block to prevent 'hot spots' while the engine is warming up.



Safety Margins

The raw water flow capacities indicated earlier are for diesel engine cooling systems and include a safety margin of some 30% to ensure adequate engine cooling under adverse operating conditions.

As gasoline engines, unlike diesel engines, have a high heat rejection rate at idling speed, an increase in pumpflow capacity of some 10% at maximum rpm is recommended.

While flow capacities can be affected by salt deposits or scale in pipes due to operation in tropical regions, seawater pollution or age and wear of pumps and systems in general, this is usually a gradual process with ample warning that preventive maintenance becomes desirable.

Far more serious is a reduction in cooling water flow due to adverse conditions caused by inadequate system.

When marine vegetation such as seaweed gets stuck in seawater inlet strainers of insufficient mesh or hole size, this can cause a significant reduction of the cooling water supply to the pump.

On the other hand, no amount of pump flow capacity will safeguard against a sudden but total blockage, for example, a plastic bag covering up the hull inlet. System safety margin can be substantially increased by providing two separate hull inlets usually on either side of the keel joining the pump inlet pipe below the water line. In actual practice the likelihood of both inlets being covered simultaneously has been found to be insignificant.

As heat exchanger and cooler manufacturers' recommendations for a given engine performance and corresponding pump flow will include appropriate safety margins for minimum and maximum flow, it should be kept in mind that excessive water velocities through the heat exchanger pipes due to "over kill," i.e. fitting oversize cooling pumps, may cause pipe erosion and accelerated pump wear through excessive pump operating pressures.

Low water velocities through heat exchanger tubes, on the other hand, could result in the formation of sludge. Therefore, too small a pump (insufficient safety margins) may cause inefficient operation of heat exchangers and coolers for much of the time.

Suction System

To provide reliable performance under seagoing conditions, a raw water cooling pump must operate in a correctly designed cooling system. It is, therefore, essential that cooling water should reach the pump without having to overcome undesirable resistance or restrictions

The following general rules are given for guidance.

Suction pipe bore must not be smaller than the pump inlet connection but if total suction pipe exceeds 10 feet in length the bore should be one size larger, particularly if the pump is operated at high speeds (see performance graphs). Use the same size bore pipe throughout, i.e. avoid sudden enlargements or contractions. Use long tapered sections of pipe at any change in pipe bore.

The suction pipe run should be as straight as possible, i.e. avoid unnecessary bends. Do not use square or standard elbows, instead use long sweep bends.

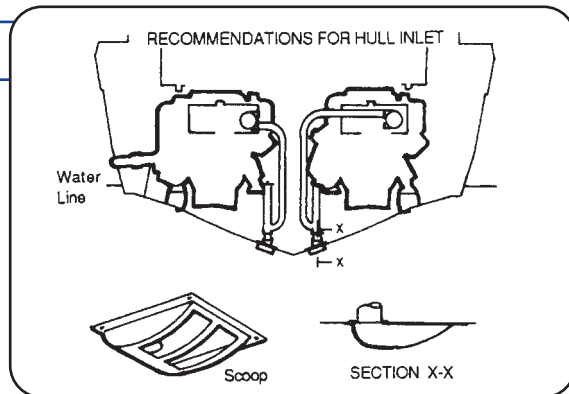
DO NOT fit gearbox or engine oil coolers in the pump suction system. Always install after the pump.

Seacocks of the same nominal size as the suction pipework should be of the ball or plug type giving full through bore in the open position. The handle position should clearly indicate whether seacocks are open or closed.

Seawater inlet strainers should have a hole or mesh size of at least 3/8" diameter and up to 3/16" for larger pumps but smaller than the heat exchanger tube bore.

Check frequently that inlet strainer is not clogged. If in doubt clean thoroughly.

Fast boats (over 12-15 knots) and planing craft, must be fitted with inlet scoops positioned in a permanently wetted area of the ship's hull, to create sufficient inlet pressure at higher boat speeds. Flush inlet fittings are not suitable for fast boats.





Pump Selection

Most proprietary marine engines are already fitted with specially adapted flange mounted Jabsco cooling pumps driven by gears or couplings of various descriptions.

A belt drive from the crankshaft pulley will enable almost any standard foot mounted bronze Jabsco pump to be selected provided that the required cooling flow rate is obtained without operating the pump at excessive speeds (see also performance graphs).

Global cooling water requirement for each 100 HP at maximum engine load and rpm (see under Engine Cooling Systems).

Diesel Engines

Direct cooling	12 usgpm (45 lpm) (raw water)
Heat exchanger cooling	18 usgpm (68 lpm) (raw water)
Keel cooling	36 usgpm (136 lpm) (fresh water)

Gasoline Engines

Increase diesel engine figures by about 10%
If exhaust manifolds are water cooled increase pump capacity by a further 10-15%.

Pump Types

Selection may depend upon pump speed, space available and type of drive.

Plain Bearing Pumps

Maximum operating speeds.

Belt drive	1500-2000 rpm
Direct drive	2000-2500 rpm

The stainless steel shaft runs directly on the seawater resistant bronze body material containing 10% lead. Shaft sealing is invariably graphite impregnated gland packing which offers low cost reliability where a slight leakage, necessary for gland lubrication, is acceptable.

Ball Bearing Pumps

For pump speeds in excess of 2500 rpm ball bearing pumps should be used. Depending on size and duty, speeds of up to 5000 rpm are possible but special attention to suction system conditions is then required (consult Jabsco).

Ball bearing pumps are available in heavy duty and compact types.

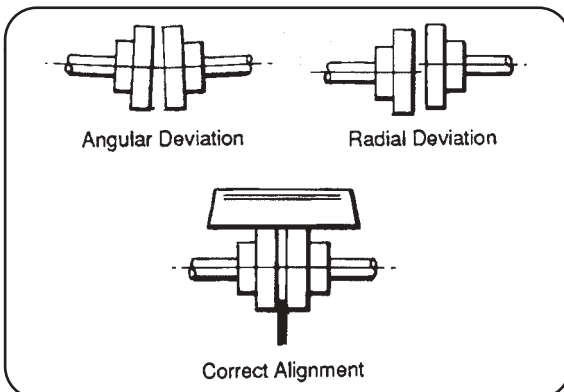
Heavy Duty Pumps

This range is designed with two spaced bearings and mechanical rotary face seals to meet high reliability criteria under adverse operating conditions, i.e. excessive belt tension, high operating pressure, abrasive conditions such as are found in shallow waters or in-shore operation. Pump bodies are either bolted to a bearing housing or body and bearing housing are a single integral casting. These types of pumps are often unique to the application but some varying pump types can share common bearing housings.

Compact Pumps

This pump range is fitted with double row ball bearings providing a low cost compromise between overall pump length and a limited heavy duty capability.

Bearings are shielded, ensuring permanent lubrication by the special grease.



Pump Drive Failure

The majority of pump failures are caused by badly designed pump systems. Secondary causes of pump problems are unsatisfactory drive arrangements.



Pump Drives

Direct Drives

Misalignment between pump and drive shafts is a common cause of pump failure.

A flexible coupling is only "flexible" within limitations specified by the manufacturer. Excessive misalignment, particularly at high pump speeds, can cause noise, knocking, vibration, premature bearing failure, usually followed by pump leakage.

Belt Drives

The pump speed is determined by the engine pulley diameter and the need to maintain the pump pulley at a practical maximum size. Some engine crankshaft pulleys incorporate vibration dampening membranes resulting in large diameters at the V groove. To lower pump speed relative to engine speed, it is necessary to use a pulley on the pump that is larger than the drive pulley. High engine speeds may, therefore, require oversize pump pulleys which preclude the practicality of a belt drive. Calculating a suitable size pump pulley (example):

$$\frac{\text{Drive pulley diameter}}{\text{Pump pulley diameter}} \times \text{Engine speed} = \text{Pump speed}$$

Excessive drive belt tension will cause rapid belt wear and may result in premature bearing failure. It should be possible to deflect a correctly tensioned belt between pulleys approximately $\frac{1}{2}$ "- $\frac{3}{4}$ " by applying finger pressure.

While excessive belt tension may be due to inadvertent overtightening, it should always be verified that it did not result from an inherent fault in the installation, e.g. if pump flow is insufficient due to a slipping belt caused by insufficient contact area between belt and pulley, any amount of tightening would not solve the problem permanently. Ideally, the contact area should be about 120° but not less than 90°.

If the engine is installed on flexible mountings, a belt driven pump must be mounted on the engine, never bolted to the vessel's structure. This is to avoid tensioning or slackening of the drive belt due to relative movements of the engine (see also crankshaft mounted pumps).

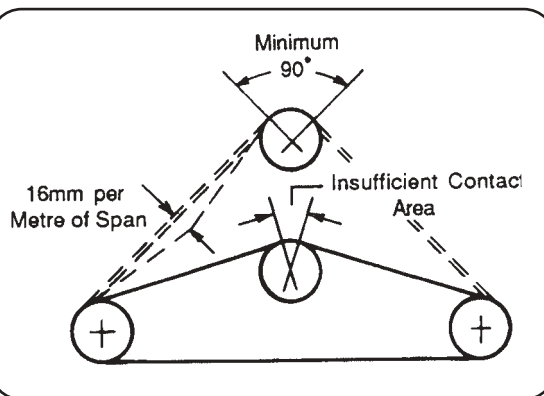
Gear Drives

Drive gears fitted to 'heavy duty' flange mounted pumps are supported by the pump ball bearings and driven by one of the engine gears.

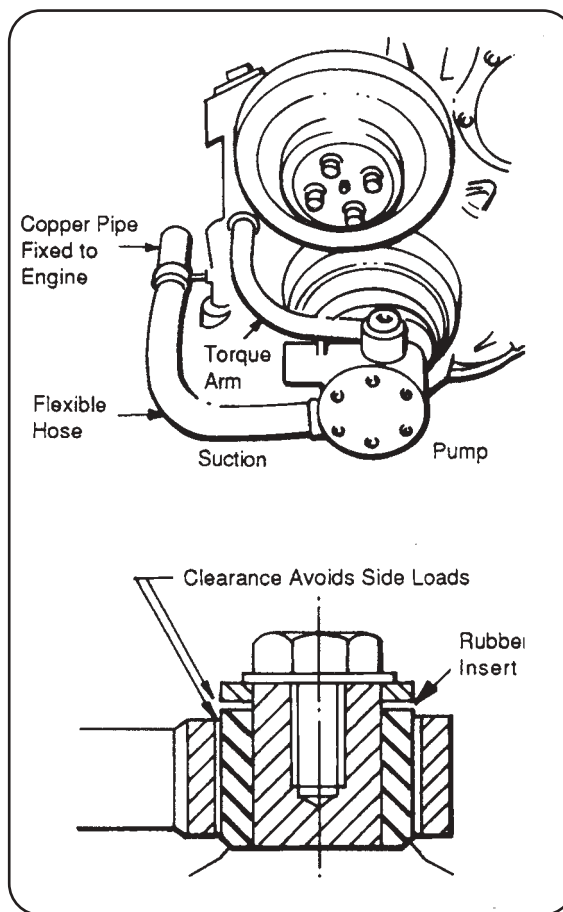
Crank Pulley Mounted Drive

A number of Jabsco pumps specially developed for high speed operation on gasoline and diesel engines, are fitted with a multi-positional bearing housing bolted directly to the crankshaft pulley, thus eliminating mounting brackets, belts and pulleys.

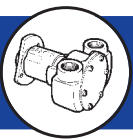
As the pump body is supported by the ball bearing only, it must be prevented from rotating by means of a torque arm, designed and installed so as to avoid any side load on the bearing. Inlet and outlet hoses must be flexible, i.e. of adequate length (at least 10 times the hose diameter) so that the pump can be rotated freely over a few degrees by finger pressure only.



Belt Drives



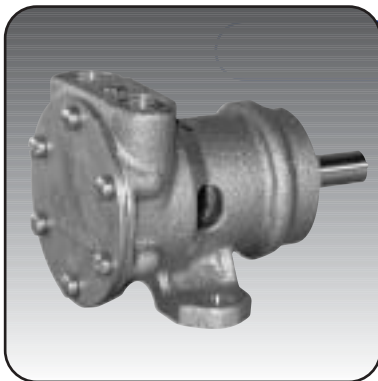
Crank Pulley Mounted Drive Installation Example



Pulley Driven Engine Cooling and General Purpose Pumps

Flexible impeller pumps are self-priming and therefore, are ideal for engine cooling, wash-down, circulation and many general purpose on-board or dockside applications. The bronze bodies and stainless steel shafts are well suited for marine environments. They can operate in either rotational direction. A variety of models are available with flows from 3 usgpm (11 lpm) to 83 usgpm (314 lpm) and with different port orientations to suit virtually any pumping requirement. Most models have replaceable cams and wearplates for extended product life.

Designed for North American Market



2760 Series

This pump offers all the benefits of flexible impeller pumps in a compact size with moderate flow rate and has vertically oriented ports.

- 3.7 usgpm (14 lpm) at 10ft (3m) total head @ 1750 rpm.
- Self-priming to 10ft (3m) vertical lift.
- Lip seal.
- Neoprene or Nitrile impeller.
- Double-row ball bearing.

Fitting: 1/4" NPT.

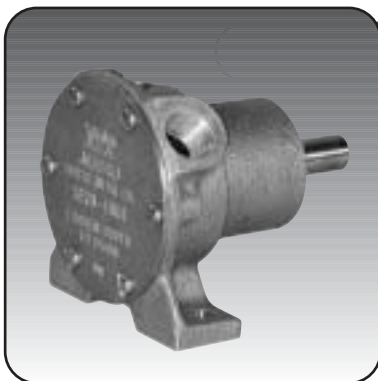
Size: 3 5/16" long x 2 5/16" wide x 2 7/16" high.

Weight: 1 1/2 lb (0.7kg)

2760-0001 Pump with neoprene impeller, full cam and lip seal.

2760-0003 Pump with nitrile impeller, full cam and lip seal.

For service and spare parts listing see page 118.



2620 Series

This pump offers all the benefits of flexible impeller pumps in a compact size with moderate flow rate and ports oriented at approximate 45° angles.

- 5.8 usgpm (22 lpm) at 10ft (3m) total head @ 1750 rpm.
- Self-priming to 10ft (3m) vertical lift.
- Lip seal.
- Neoprene or Nitrile impeller.
- Two single row ball bearings.

Fitting: 3/8" NPT.

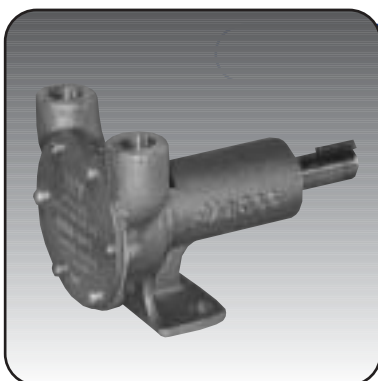
Size: 3 15/16" long x 3 1/18" wide x 3 3/32" high.

Weight: 2 3/4 lb (1.3 kg)

2620-1011 Pump with neoprene impeller, full cam and lip seal.

2620-1013 Pump with nitrile impeller, full cam and lip seal.

For service and spare parts listing see page 118.



5320-0011

This pump offers all the benefits of flexible impeller pumps in a compact size with moderate flow rate and has vertically oriented ports

- 5.8 usgpm (22 lpm) at 10ft (3m) total head @ 1750 rpm.
- Self-priming to 10ft (3m) vertical lift.
- Lip seal.
- Neoprene impeller fitted as standard.
- Two single row ball bearings.

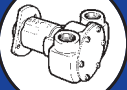
Fitting: 3/8" NPT.

Size: 5 15/16" long x 3 1/2" wide x 3 5/18" high.

Weight: 1 1/2 lb (0.7 kg)

5320-0011 Pump with neoprene impeller, full cam and lip seal.

For service and spare parts listing see page 120.



Designed for North American Market

Pulley Driven Pumps

Flexible Impeller Pumps -

1673 Series

This pump offers all the benefits of flexible impeller pumps in a compact size with moderate flow rate and horizontally oriented ports.

- 11.3 usgpm (43 lpm) at 10ft (3m) total head @ 1750 rpm.
- Self-priming to 10ft (3m) vertical lift.
- Lip seal.
- Neoprene or nitrile impeller.
- Two single row ball bearings.

Fitting: 1/2" NPT.

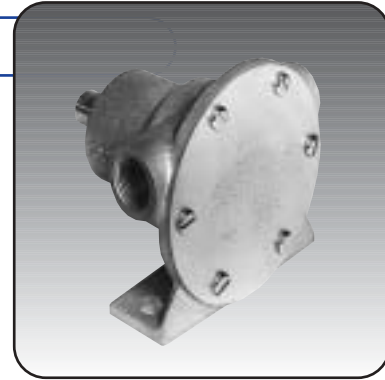
Size: 4 7/16" long x 4 7/8" wide x 3 3/16" high.

Weight: 4 1/4 lb (2 kg).

1673-1001 Pump with neoprene impeller, full cam and lip seal.

1673-1003 Pump with nitrile impeller, full cam and lip seal.

For service and spare parts listing see page 117.



3890-9011

This pump offers all the benefits of flexible impeller pumps in a compact size with moderate flow rate and vertically oriented ports.

- 11.3 usgpm (43 lpm) at 10ft (3m) total head @ 1750 rpm.
- Self-priming to 10ft (3m) vertical lift .
- Mechanical face seal.
- Neoprene impeller fitted as standard.
- Double-row ball bearing.

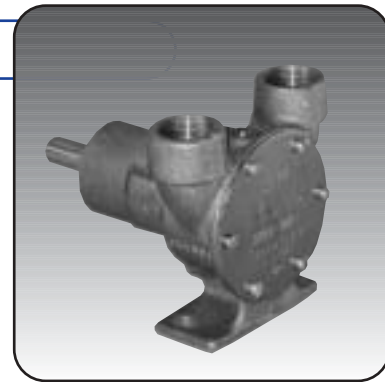
Fitting: 3/4" NPT.

Size: 5 3/16" long x 4" wide x 4" high

Weight: 4 lb (1.8 kg).

3890-9011 Pump with neoprene impeller, full cam and mechanical seal

For service and spare parts listing see page 119.



5330-9101

This pump offers all the benefits of flexible impeller pumps in a mid-size package with substantial flow rate and vertically oriented ports.

- 26 usgpm (98 lpm) at 10ft (3m) total head @ 1750 rpm (full cam model).
- Self-priming to 10ft (3m) vertical lift.
- Mechanical face seal.
- Neoprene impeller fitted as standard.
- Double-row ball bearing.

Fitting: 1" NPT.

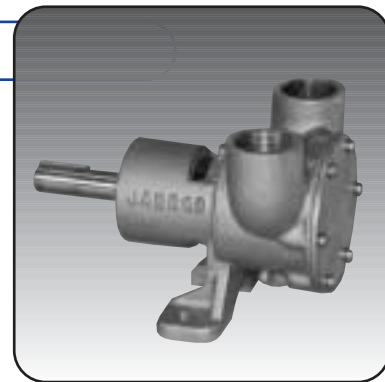
Size: 7" long x 4 3/4" wide x 4" high.

Weight: 7 lb (3.2 kg).

5330-9101 Pump with neoprene impeller, full cam and mechanical seal

5330-9001 Pump with neoprene Impeller, 2/3 cam and mechanical seal

For service and spare parts listing see page 120.





Designed for North American Market

Flexible Impeller Pumps - Pulley Driven Pumps



52580 Series

This compact pump offers a compromise between pump overall size and duty capability.

- 1,070 igph (4,850 lph) at 10ft (3m) total head @ 1,500 rpm.
- By use of optional thinner cams, variable flows are obtainable to suit individual applications.
- Self Priming up to 15ft (4.5m) vertical lift.
- The open design of this pump allows debris to pass through without affecting the flow and reliability.
- Space sealed for life bearings.

- Long-life mechanical seal.
- Neoprene impeller is fitted as standard.

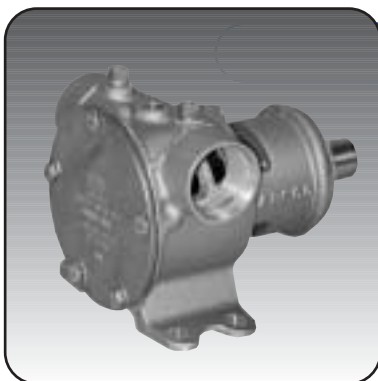
Fitting: 1" NPT.

Size: 6½" long x 5" wide x 4" high.
(180mm x 120mm x 100mm).

Weight: 5lb (2.1kg).

52580-9001 Pump.

For service and spare parts listing see page 140.



6400 Series

This pump offers all the benefits of flexible impeller pumps in a mid-size package with substantial flow rate and horizontally oriented ports.

- 62 usgpm (235 lpm) at 10ft (3m) total head @ 1750 rpm.
- Self-priming to 10ft (3m) vertical lift.
- Mechanical face seal.
- Neoprene or nitrile impeller.
- Double-row ball bearing.

Fitting: 1¼" NPT.

Size: 8½" long x 5½" wide x 4½" high.

Weight: 10½ lb (4.8 kg).

6400-0004 Pump with neoprene impeller, full cam and mechanical seal.

6400-0051 Pump with neoprene impeller, half cam and mechanical seal.

6400-1051 Pump with neoprene impeller, half cam, mechanical seal, and short shaft for caterpillar engines.

For service and spare parts listing see page 120.



7420 Series

This pump offers all the benefits of flexible impeller pumps in a mid-size package with substantial flow rate and vertically oriented ports.

- 62 usgpm (235 lpm) at 10ft (3m) total head @ 1750 rpm.
- Self-priming to 10ft (3m) vertical lift.
- Mechanical face seal.
- Neoprene impeller.
- Double-row ball bearing.

Fitting: 1¼" NPT.

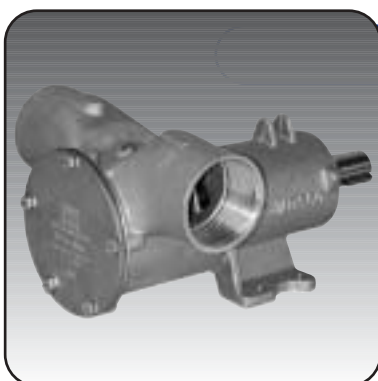
Size: 8½" long x 5½" wide x 5½" high.

Weight: 10½ lb (4.8 kg).

7420-0004 Pump with neoprene impeller, full cam and mechanical seal.

7420-1001 Pump with neoprene impeller, full cam, mechanical seal, and short shaft for caterpillar engines.

For service and spare parts listing see page 122.



18370-0000

This pump is the largest pedestal mount flexible impeller utility type pump and provides the greatest flow rate and horizontally oriented ports.

- 83 usgpm (314 lpm) at 10ft (3m) total head @ 1750 rpm.
- Self-priming to 10ft (3m) vertical lift.
- Mechanical face seal.
- Neoprene or nitrile impeller.
- Two single row ball bearings.

Fitting: 2" NPT.

Size: 10¾" long x 8" wide x 5½" high.

Weight: 19 lb (8.6 kg).

18370-0000 Pump with neoprene impeller, full cam and mechanical seal.

For service and spare parts listing see page 129.



Designed for North American Market

Plain Bearing Pumps

These pumps offer all the benefits of flexible impeller pumps but in a simple basic design that includes packing type seals and grease cup lubrication. Three sizes are available with flow rates from 4 usgpm (15 lpm) to 11 usgpm (42 lpm). All have horizontally oriented ports.

- 26 usgpm (98 lpm) at 10ft (3m) total head @ 1750 rpm.
- Self-priming to 10ft (3m) vertical lift.
- Packing gland seal.
- Neoprene or nitrile impeller .

Fitting: 4560-Series: 1/2" NPT.
4590-Series: 3/4" NPT.

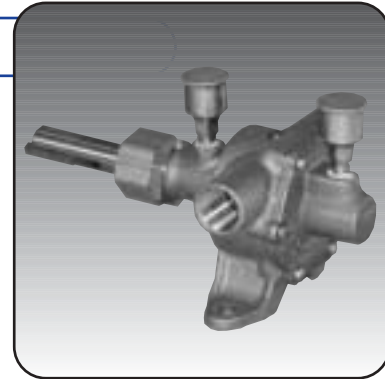
Size: 4560-Series: 7 1/8" long x 4 1/8" wide x 4" high.
4590-Series: 7 7/8" long x 4 1/8" wide x 4 3/16" high.

Weight: 4560-Series: 3 3/4 lb (1.7 kg).
4590-Series: 5 lb (2.3 kg).

- 4560-0001** Pump with neoprene impeller.
- 4560-0003** Pump with nitrile impeller.
- 4590-0001** Pump with neoprene impeller.
- 4590-0003** Pump with nitrile impeller.

All models have a packing type seal and full cam.

For service and spare parts listing see page 119.



Pulley Driven Pumps

Flexible Impeller Pumps -





Pulley Driven Engine Cooling and General Purpose Pumps

Flexible impeller pumps are self-priming and therefore, are ideal for engine cooling, wash-down, circulation and many general purpose on-board or dockside applications. The bronze bodies and stainless steel shafts are well suited for marine environments. They can operate in either rotational direction. A variety of models are available with flows from 11 lpm (2.5 igm) to 314 lpm (69 igm) and with different port orientations to suit virtually any pumping requirement. Most models have replaceable cams and wearplates for extended product life.

Designed for European Market



29860 Series

This compact design offers commercial users a reliable and easily maintained pump for transfer duties at high flow rates.

- 6,336 igph (28,800 lph) at 10ft (3m) total head @ 1,500 rpm.
- Self Priming up to 18ft (5.5m) vertical lift.
- The open design of this pump allows debris to pass through without affecting the flow and reliability.
- Spaced bearings allow faster running and longer bearing life.
- Mechanical seal offers long life and reliability to commercial duty installations.

- Easily maintained and serviced using ordinary hand tools.
- Neoprene impeller is fitted as standard.

Fitting: 2 1/2" BSP Internal Thread/ 2 1/2" Flange.

Size: 13" long x 9" wide x 9" high.
(332mm x 224mm x 220mm).

Weight: 28lb (12.5kg).

29860-2201 Pump with vertical ports.

For service and spare parts listing see page 137.



52270 Series

This composite design offers a strong and reliable pump for adverse operating conditions.

- 3,600 igph (16,350 lph) at 10ft (3m) total head @ 1,500 rpm.
- By use of optional thinner cams, variable flows are obtainable to suit individual applications.
- Self Priming up to 15ft (4.5m) vertical lift.
- The open design of this pump allows debris to pass through without affecting the flow and reliability.
- Spaced bearings allow faster running and longer bearing life.

- Mechanical seal offers long life and reliability to commercial duty installations.
- Neoprene impeller is fitted as standard.

Fitting: 2" BSP Internal Thread/
Optional 2" Flange.

Size: 11" long x 7" wide x 5" high
(276mm x 170mm x 128mm)

Weight: 20lb (9kg).

52270-0011 Pump with flange ports.

52270-2011 Pump with BSP ports.

For service and spare parts listing see page 140.



52220 Series

This composite design offers a strong and reliable pump for adverse operating conditions.

- 2,600 igph (11,700 lph) at 10ft (3m) total head @ 1,500 rpm.
- By use of optional thinner cams, variable flows are obtainable to suit individual applications.
- Self Priming up to 15ft (4.5m) vertical lift.
- The open design of this pump allows debris to pass through without affecting the flow and reliability.
- Spaced bearings allow faster running and longer bearing life.

- Mechanical seal offers long life and reliability to commercial duty installations.
- Neoprene impeller is fitted as standard.

Fitting: 1 1/2" Flange.

Size: 10 1/2" long x 6" wide x 6" high
276mm x 152mm x 146mm high.

Weight: 16lb (7kg).

52220-0011 Pump.

For service and spare parts listing see page 140.



Designed for European Market

Pulley Driven Pumps

Flexible Impeller Pumps -

52200 Series

This compact pump offers a compromise between pump overall size and limited heavy duty capability.

- 2,600 igph (11,700 lph) at 10ft (3m) total head @ 1,500 rpm.
- By use of optional thinner cams, variable flows are obtainable to suit individual applications.
- Self Priming up to 15ft (4.5m) vertical lift.
- The open design of this pump allows debris to pass through without affecting the flow and reliability.
- Double row angular contact bearing allows short length pump with medium duty rating.

- Mechanical seal offers long life and reliability to commercial duty installations.
- Neoprene impeller is fitted as standard.

Fitting: 1 1/2" BSP Internal Thread.

Size: 8" long x 6" wide x 5" high.
(204mm x 150mm x 120mm).

Weight: 11lb (5kg).

52200-2011 Pump.

For service and spare parts listing see page 140.



9710 Series

This composite design offers a strong and reliable pump for adverse operating conditions.

- 1,070 igph (4,850 lph) at 10ft (3m) total head @ 1,500 rpm.
- By use of optional thinner cams, variable flows are obtainable to suit individual applications.
- Self Priming up to 15ft (4.5m) vertical lift.
- The open design of this pump allows debris to pass through without affecting the flow and reliability.
- Spaced bearings allow faster runnings and longer bearing life.

- Mechanical seal offers long life and reliability to commercial duty installations.
- Neoprene impeller is fitted as standard.

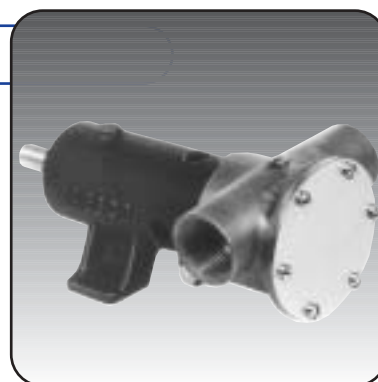
Fitting: 1" BSP Internal Thread.

Size: 9" long x 5" wide x 3" high.
(229mm x 120mm x 80mm).

Weight: 8lb (3.4kg).

9710-200 Pump.

For service and spare parts listing see page 123.



52580 Series

This compact pump offers a compromise between pump overall size and duty capability.

- 1,070 igph (4,850 lph) at 10ft (3m) total head @ 1,500 rpm.
- By use of optional thinner cams, variable flows are obtainable to suit individual applications.
- Self Priming up to 15ft (4.5m) vertical lift.
- The open design of this pump allows debris to pass through without affecting the flow and reliability.
- Spaced sealed for life bearings.

- Long-life mechanical seal.
- Neoprene impeller is fitted as standard.

Fitting: 1" BSP Internal Thread.

Size: 6 1/2" long x 5" wide x 4" high.
(180mm x 120mm x 100mm).

Weight: 5lb (2.1kg).

52580-2001 Pump.

50320-2001 Model available to replace Johnson 10-24070-1 with lipseal and double row bearing.

For service and spare parts listing see page 140.





Designed for European Market



10550 Series

This composite design offers a strong and reliable pump for adverse operating conditions.

- 530 igph (2,400 lph) at 10ft (3m) total head @ 1,500 rpm.
- By use of optional thinner cams, variable flows are obtainable to suit individual applications.
- Self Priming up to 18ft (5.6m) vertical lift.
- Ideal for transfer duties, this pump offers a high flow to size ratio.
- Spaced bearings allow faster running and longer bearing life.

- Mechanical seal offers long life and reliability to commercial duty installations.

- Neoprene impeller is fitted as standard.

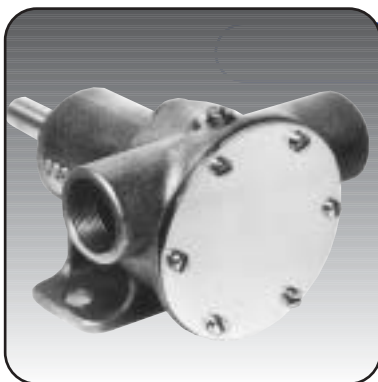
Fitting: 3/4" BSP Internal Thread.

Size: 7" long x 4" wide x 3" high
(170mm x 106mm x 75mm)

Weight: 7lb (3kg).

10550-200 Pump.

For service and spare parts listing see page 124.



52040 Series

This compact design offers compromise between pump overall size and duty capability.

- 530 igph (2,400 lph) at 10ft (3m) total head @ 1,500 rpm.
- By use of optional thinner cams, variable flows are obtainable to suit individual applications.
- Self priming up to 18ft (5.6m) vertical lift.
- Ideal for transfer duties, this pump offers a high flow to size ratio.
- Double row angular contact bearing allows short length pump with medium duty rating.

- Lip seal offers low cost reliability in medium duty environments.

- Neoprene impeller is fitted as standard.

Fitting: 3/4" BSP Internal Thread

Size: 5" long x 4" wide x 3" high"
(128mm x 106mm x 78mm high).

Weight: 3lb (1.5kg).

52040-2001 Pump.

For service and spare parts listing see page 140.



51520 Series

This compact pump with a new Carbon/Ceramic mechanical seal now offers commercial duty.

- Replaces existing Jabsco and competitors pumps.
- 240 igph (1080 lph) at 10ft (3m) total head @ 1500 rpm.
- Self Priming up to 13ft (4.1m) vertical lift.
- Sealed bearings for longer life.
- Ideal for transfer duties, this pump offers a high flow to size ratio.
- Neoprene Impeller is fitted as standard.

Fitting: 3/8" BSP Internal Thread

Size: 3 3/4" long x 3" wide x 3 1/2" high
(95.4mm x 80mm x 85mm)

Weight: 3lb (1.4kg).

51520-2001 Pump.

51520-9001 Pump (NPT Thread).

For service and spare parts listing see page 139.

Replaces Johnson model F4B-8 (10-24074)



Designed for European Market

51510 Series

This compact pump with a new Carbon/Ceramic mechanical seal now offers commercial duty.

- Replaces existing Jabsco and competitors pumps.
- 137 igph (630 lph) at 10ft (3m) total head @ 1500 rpm
- Self Priming up to 11ft (3.5m) vertical lift.
- Sealed bearings for longer life.
- Ideal for transfer duties, this pump offers a high flow to size ratio.
- Neoprene Impeller is fitted as standard.

Fitting: 3/8" BSP Internal Thread.
Size: 3 3/8" long x 3" wide x 2 3/8" high (92mm x 80mm x 60mm).

Weight: 2lb (0.9kg).
51510-2001 Pump
51510-9001 Pump (NPT Thread).

For service and spare parts listing see page 139.

Replaces Johnson model F35B-8 (10-35038)



Plain Bearing Pumps - DISCONTINUED

The original design of Jabsco pump, this design still offers benefits to users of bronze pumps worldwide.

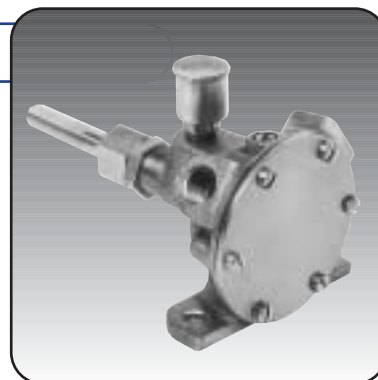
- Up to 989 igph (4,500 lph) at 10ft (3m) total head @ 1,500 rpm.
- Self Priming up to 11ft (3.5m) vertical lift.
- Ideal for low pressure transfer duties where usage is at a minimum.
- Fitted grease cups offer extra shaft and body life.
- Packed gland seal offers low cost reliability.
- Neoprene impeller is fitted as standard.

Fitting: Up to 3/4" BSP Internal Thread.

Weight: Up to 5lb (2kg).
JD 3/4-200 Pump with 3/4" BSP ports.
4900-200 Pump with 1/2" BSP ports.
6540-200 Pump with 3/8" BSP ports.
AL 1/4-200 Pump with 1/4" BSP ports.

For service and spare parts listing see pages 117 -140.

No longer available - Use North American Models Page 64



Pulley Driven Pumps

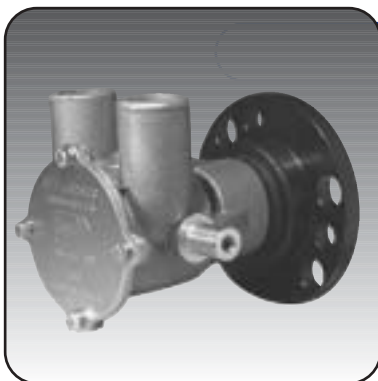
Flexible Impeller Pumps -



As originators of the flexible impeller engine cooling pump Jabsco is known worldwide for quality, reliability and serviceability.

As original equipment suppliers to engine marinizers, we also manufacture aftermarket alternatives to many original pumps. These pumps are designed to be fully serviceable and after long use can be restored to like new condition, avoiding complete pump replacement.

Designed for North American Engines



Jabsco 50410-Series

Probably the best crank shaft mounted pump available.

- Fits all major V8 engines.
- Lip or Mechanical Seals available.
- Specially designed impeller for longer life.
- Supercedes 22110 series pumps

Fitting: 1.25" (32mm) ID Hose

Size: 50410-1201/1301: 5" x 4.5" x 4.5"
(13cm x 11cm x 11cm)

50410-1401/1501 4.5" x 4.5" x 4.5"
(11cm x 11cm x 11cm)

Weight: 5lb (2.2 kg)

50410-1201 454CI Chevrolet, lip seal

50410-1301 454CI Chevrolet,
mechanical seal

50410-1251 305 & 350CI Chevrolet, lip seal

50410-1351 305 & 350CI Chevrolet,
mechanical seal

50410-1401 8.1L Chevrolet, lip seal

50410-1501 8.1L Chevrolet, mechanical seal

For service and parts see page 139.



Mercruiser Type 43210-0001

Marine Engine Cooling Replaces MerCruiser Model 46-72774-A32.

- Left or Right Hand Rotation.
- One Piece Bronze Body.
- Bronze End Plate.
- Replaceable Cam and Wearplate.

Fitting: 1 1/4" Hose Barb

Size: 9 5/8" long x 4 1/2" wide 4 1/8" high

Weight: 7 lb (3.2 kg)

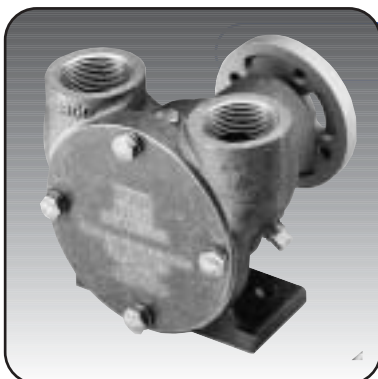
Drive: Pulley

Mount: MerCruiser Clamp Type or
MerCruiser Bracket

43210-0001 MerCruiser Pump

43216-1000 Replacement bronze end cover
for MerCruiser produced
pumps

For service and spare parts listing see page 137.



Crusader Type 42730-0000

Marine Engine Cooling Replaces Crusader Model Number 97179 and Sherwood E-35.

- Fits Most Pre: 1993 Crusader Engines.
- Accepts Crusader Drive Pulley.
- Bolts Directly to stock mounting bracket.
- Wearplate and seal can generally be replaced without removing the pump shaft.

Fitting: 1" NPT Internal

Size: 4 15/16" long x 4 7/8" wide x 4 1/4" high

Weight: 7 lb (3.2 kg)

Drive: Pulley

Mount: Pedestal

42730-0000 Crusader

For service and spare parts listing see page 137.



Designed for North American Engines

Engine Cooling Pumps

Jabsco Replacements for Sherwood Engine Cooling Pumps

Jabsco engine cooling pumps are constructed with all bronze body, bearing housing and stainless steel shaft to withstand harsh marine environments.

They can directly replace the Sherwood models G-30-2 on current Chris Craft production engines and G-5 on current Chrysler engines.

They may also fit some models of Volvo, Escort, Pleasurecraft and Datsun engines.

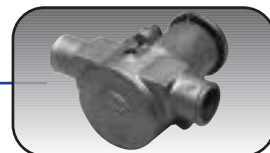
Pumps are available in a variety of configurations. They can be supplied with a choice of: 1" or 1 1/4" ports; mounting tabs on front or rear of bearing housing; and 6 1/2" "A" belt pulley, pulley mounting adaptor, or 3/16" key on the shaft.

For service and spare parts listing see pages 126-127.



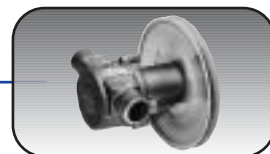
Mounting tabs near body

Port size 1" 18830-0000
1 1/4" 18930-0000



With pulley adaptor

Port size 1" 18830-0010
1 1/4" 18930-0010



With pulley

Port size 1" 18830-1020
1 1/4" 18930-0020



With keyed shaft

Jabsco Model No	Sherwood Model No	Port Size	Engine Application
18830-0000	G-30-2	1" (25mm)	Chris Craft; 350 C.I.
18830-1020	-	1" (25mm)	Commander Marine 302, 351 C.I. Glastron 302, 351 C.I. 165, 190, 200 & 225
18840-0010	G-21	1" (25mm)	Pleasurecraft
18840-1010	-	1" (25mm)	Nissan LDM 4 Cyl.
18930-0000	G-45-1	1 1/4" (32mm)	Chris Craft
18940-0010	G-5, G-7-B	1 1/4" (32mm)	Chrysler LM-318X-LM-340X Lehman 302, 351 C.I. Powerhouse Marine 302, 351 C.I.
18825-0010	G-151	1 1/2" (38mm)	Mer cruiser 7.3 Diesel L/270 Star Power Stern Drive 3800790MI



Mounting tabs near pulley

Port size 1" 18840-0010
1 1/4" 18940-0010
1 1/2" 18825-0010



With pulley

17360-1001

Marine Engine Cooling for Engine Models. Caterpillar D-336 and D-353.

With minor plumbing modifications may be adapted to:

- Caterpillar D-343
- Detroit Diesel V-71 and V-92
- Some Stewart and Stevenson Marineizations of Detroit Diesel Engines

Fitting: 2-1/2" Flange port

Size: 9 1/4" long x 7 7/8" wide x 5 5/16" high

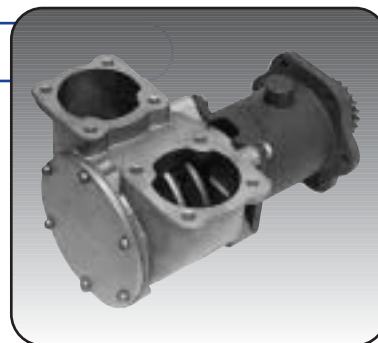
Weight: 28 lb (12.7 kg)

Drive: Gear

Mount: Engine

17360-1001

For service and spare parts listing see page 128.



Upgrade to Jabsco Engine Cooling Pumps

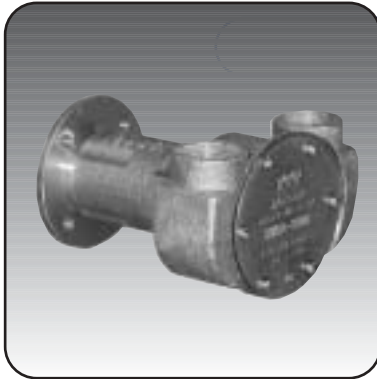
Flexible Impeller Pumps -



Designed for North American Engines

Upgrade to Jabsco
Engine Cooling Pumps

Flexible Impeller Pumps -



5850-0001

Marine Engine Cooling:

- Flagship.
- Palmer Lehman.
- Chris-Craft.

Fitting: 3/4" NPT**Size:** 5 1/16" long x 4 1/4" wide x 3 1/4" high**Weight:** 6 lb (2.7 kg)**Drive:** Coupler**Mount:** Engine*For service and spare parts listing see page 120.*

12600-0001

Marine Engine Cooling for Engine Models:

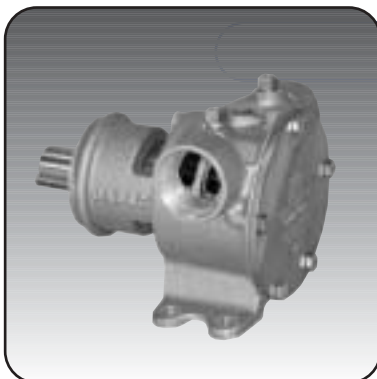
- Cummins V-903.
- Cummins VT-903.

Fitting: 3" Hose**Size:** 7" long x 7 3/8" wide x 8 1/2" high**Weight:** 20 lb (9 kg)**Drive:** Gear**Mount:** Engine*For service and spare parts listing see page 128.*

7420-1001

Marine Engine Cooling for Engine Models:

- Caterpillar 3160.
- Caterpillar 3208.

Fitting: 1 1/4" NPT Vertical Ports**Size:** 7 1/32" long x 5 7/8" wide x 4 7/8" high**Weight:** 10 1/2 lb (4.8 kg)**Drive:** Pulley**Mount:** Pedestal*For service and spare parts listing see page 122.*

6400-1051

Marine Engine Cooling for Engine Models:

- Caterpillar 3160.
- Caterpillar 3208.

Fitting: 1 1/4" NPT Horizontal Ports**Size:** 7 1/32" long x 5 7/8" wide x 4 7/8" high**Weight:** 10 1/2 lb (4.8 kg)**Drive:** Pulley**Mount:** Pedestal*For service and spare parts listing see page 120.*



Designed for North American Engines

Upgrade to Jabsco
Engine Cooling Pumps

Flexible Impeller Pumps -

18825-0010

Marine Engine Cooling:

- MerCruiser V-8 Diesels.
- Marine Power V-8 Diesels.

Fitting: 1 1/2" ID Hose
Size: 6 7/32" long x 5 7/8" wide x 3 1/4" high
Weight: 7 1/2 lb (3.4 kg)
Drive: Pulley (6 1/2")
Mount: Bracket

For service and spare parts listing see page 139.



11850-0701

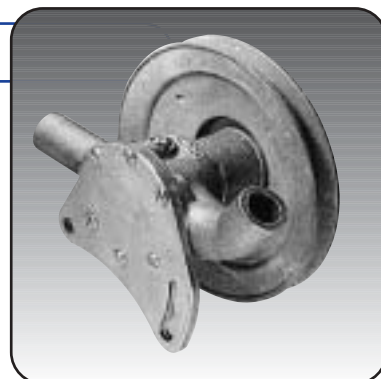
Marine Engine Cooling:

- Holman & Moody.
- Crusader.
- Daytona.

Details: 1" Hose
Size: 4 7/16" long x 6 1/16" wide
Weight: 6 lb (2.7 kg)
Drive: Pulley
Mount: Bracket

Model 11850-0711 is the same as 11850-0701 but with the re-positioned cam

For service and spare parts listing see page 127.



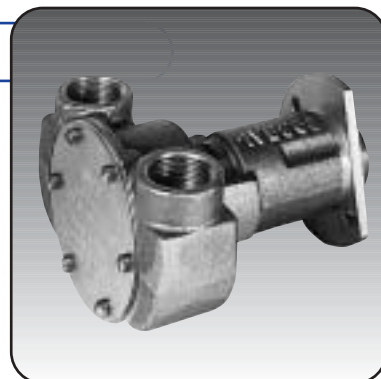
18400-0050

Marine Engine Cooling Generator Pump:

- Onan MDJF 15KW.

Fitting: 3/4" NPT
Size: 5 5/16" long x 4 1/4" wide x 3 1/4" high
Weight: 6 lb (2.7 kg)
Drive: Coupler
Mount: Engine

For service and spare parts listing see page 129.



3270-0001

Marine Engine Cooling for Engine Models:

- Perkins 4-107.
- Perkins 4-108.

Fitting: 3/4" NPT
Size: 4 1/4" long x 4 1/8" wide x 3 - 7/8" high
Weight: 4lb (1.8kg)
Drive: Coupling
Mount: Engine

For service and spare parts listing see page 118.





Designed for European Engines



10950 Series

Marine Engine Cooling pump for Ford Dover and Dorset 4-cyl Engines.

Marinised by:

- C-Power
- CT Marine
- Lancing
- Lehman
- SABB
- Sabre
- Watermota

Fitting: 3/4" BSP

Size: 6 1/2" long x 4 1/2" wide x 5 1/8" high
(166mm x 115mm x 130mm)

Weight: 7 lb (3.0 kg)

Drive: Drive Gear

Mount: Engine

For service and spare parts listing see page 126.



21140 Series

Marine Engine Cooling pump for Ford Dover and Dorset 6-cyl Engines.

Marinised by:

- C-Power
- Hawker Siddeley Marine (Lister Petter)
- Lancing
- Lehman
- Mermaid
- SABB
- Sabre

■ Tempest

■ Watermota

Fitting: 1" BSP

Size: 7 1/4" long x 4 1/2" wide x 5 1/8" high
(185mm x 115mm x 130mm)

Weight: 8 lb (3.6 kg)

Drive: Drive Gear

Mount: Engine

For service and spare parts listing see page 130.



29500-1001

Marine Engine Cooling pump for:

- Aifo Iveco
- Lancing
- Perkins
- Sole
- VM Motori

Fitting: 28mm hose

Size: 4 3/4" long x 4" wide x 4" high
(110mm x 100mm x 100mm)

Weight: 2 1/2 lb (1.2 kg)

Drive: Coupling

Mount: Engine

For service and spare parts listing see page 136.



3270-200

Marine Engine Cooling pump for:-

- Aifo Iveco
- Lancing
- Perkins
- Sole
- Tempest
- VM Motori

Fitting: 3/4" BSP

Size: 4 1/4" long x 4" wide x 3 3/8" high
(108mm x 100mm x 84mm)

Weight: 3 1/2 lb (1.6 kg)

Drive: Coupling

Mount: Engine

For service and spare parts listing see page 118.



Designed for European Engines

Upgrade to Jabsco
Engine Cooling Pumps

Flexible Impeller Pumps -

9700-01

Marine Engine Cooling pump for:

- Hamworthy
- Perkins
- Leyland-Thornycroft

Fitting: 1" flanged
Size: 5 3/4" long x 4 3/4" wide x 3 7/8" high
 (149mm x 121mm x 99mm)

Weight: 6 lb (2.8 kg)

Drive: Coupling

Mount: Engine

For service and spare parts listing see page 123.



9970-200

Marine Engine Cooling pump for:

- Hawker Siddeley Marine (Lister Petter)
- Hamworthy
- Perkins
- Lehman
- Sisu (Valmet)

Fitting: 3/4" BSP
Size: 5 7/8" long x 4" wide x 3 3/8" high
 (142mm x 100mm x 86mm)

Weight: 4lb (1.8 kg)

Drive: Coupling

Mount: Engine

For service and spare parts listing see page 124.



10970

Marine Engine Cooling pump for:

- Perkins 4.236

Fitting: 3/4" NPTF
Size: 5 5/8" long x 4 3/4" wide x 4 1/2" high
 (144mm x 120mm x 115mm)

Weight: 7 lb (3.26 kg)

Drive: Drive Gear

Mount: Engine

For service and spare parts listing see page 126.



10970-21

Marine Engine Cooling pump for:

- Perkins 4.236
- Perkins M90

Fitting: 3/4" flanged
Size: 5 7/8" long x 5 5/8" wide x 4 1/2" high
 (149mm x 143mm x 115mm)

Weight: 8 lb (3.6 kg)

Drive: Drive Gear

Mount: Mount

For service and spare parts listing see page 126.





Cooling Pump Spares by
Make of Engine **Ai-Be**

Flexible Impeller Pumps -

Engine Details		Jabsco Pump Details					Service Kit Details				
Engine Model Number	Pump Number	Size	Port Size	Mount Type	Obso-lete	Alternative Pump Number	Kit Number	End Cover Gasket	Impeller	Water Seal	End Cover Screws
AIFO IVECO - ITALY											
CO 1DM / 2DM / 3DM	9700-41	080	1"Flanged	Flange			SK238-21	2432	17937-0001	SP6080-06	SP1003-01
CO 3M / 3SM	3270-200	040	¾"BSP	Flange	x	29500-1001	SK271	3298	1210-0001	SP2701-21	SP1002-02
	29500-1001	040	Ø 28 Hose	Flange			SK384-0001	3298	1210-0001	SP2700-1027	SP1002-02
CP 3M	3270-200	040	¾"BSP	Flange	x	29500-1001	SK271	3298	1210-0001	SP2701-21	SP1002-02
	29500-1001	040	Ø 28 Hose	Flange			SK384-0001	3298	1210-0001	SP2700-1027	SP1002-02
CP 3SM	9700-21	080	1"Flanged	Flange	x	29600-1001	SK238	890	17937-0001	SP6080-06	SP1003-01
	29600-1001	080	Ø 32 Hose	Flange		New Pipework	SK385-0101	890	17937-0001	SP6080-0469	SP1003-0111
OMCP 3M	9700-21	080	1"Flanged	Flange	x	29600-1001	SK238	890	17937-0001	SP6080-06	SP1003-01
	29600-1001	080	Ø 32 Hose	Flange		New Pipework	SK385-0101	890	17937-0001	SP6080-0469	SP1003-0111
UNO M20	22770-1051	060	Ø 25 Hose	Crank	x	29440-1051	SK346	1985-01	673-0001	SP2701-21	SP1004-09
UNO M40	22770-1051	060	Ø 25 Hose	Crank	x	29440-1051	SK346	1985-01	673-0001	SP2701-21	SP1004-09
	29440-1051	020	Ø 25 Hose	Crank			SK402-0001	1985-0000	18653-0001	29441-0000	SP1004-09
503 / 504 / 505 / 513	9700-61	080	1"Flanged	Flange	x		SK238	890	17937-0001	SP6080-06	SP1003-01
520S / 521 / 521S	9700-61	080	1"Flanged	Flange	x		SK238	890	17937-0001	SP6080-06	SP1003-01
514 / 600	9560	010	¾"BSP	Flange	x		SK23	1189	4528-0001	SP2701-14	SP1002-01
804 & 8041 Series	3270-200	040	¾"BSP	Flange	x	29500-1001	SK271	3298	1210-0001	SP2701-21	SP1002-02
806 Series	3270-200	040	¾"BSP	Flange	x	29500-1001	SK271	3298	1210-0001	SP2701-21	SP1002-02
8060 SRM	3270-200	040	¾"BSP	Flange	x	29500-1001	SK271	3298	1210-0001	SP2701-21	SP1002-02
8061 M / SM20	3270-200	040	¾"BSP	Flange	x	29500-1001	SK271	3298	1210-0001	SP2701-21	SP1002-02
	29500-1001	040	Ø 28 Hose	Flange			SK384-0001	3298	1210-0001	SP2700-1027	SP1002-02
806 SM	9700-21	080	1"Flanged	Flange	x	29600-1001	SK238	890	17937-0001	SP6080-06	SP1003-01
8060 M / SDM	9700-21	080	1"Flanged	Flange	x	29600-1001	SK238	890	17937-0001	SP6080-06	SP1003-01
8061SM / SRM	9700-21	080	1"Flanged	Flange	x	29600-1001	SK238	890	17937-0001	SP6080-06	SP1003-01
	29600-1001	080	Ø 32 Hose	Flange		New Pipework	SK385-0101	890	17937-0001	SP6080-0469	SP1003-0111
8141 M / SRM	9700-21	080	1"Flanged	Flange	x	29600-1001	SK238	890	17937-0001	SP6080-06	SP1003-01
	29600-1001	080	Ø 32 Hose	Flange		New Pipework	SK385-0101	890	17937-0001	SP6080-0469	SP1003-0111
8141SM11	29500-1001	040	Ø 28 Hose	Flange			SK384-0001	3298	1210-0001	SP2700-1027	SP1002-02
821 / 8210 / 8220 / 8280M	9700-21	080	1"Flanged	Flange	x	29600-1001	SK238	890	17937-0001	SP6080-06	SP1003-01
8210 M	9700-21	080	1"Flanged	Flange	x	29600-1001	SK238	890	17937-0001	SP6080-06	SP1003-01
	29600-1001	080	Ø 32 Hose	Flange		New Pipework	SK385-0101	890	17937-0001	SP6080-0469	SP1003-0111
8280 M / 8281 SRM	23340-1001	120	Ø 45 Hose	Flange			SK310	890	17018-0001	22617-0010	SP1003-09
8281 SRM 44 / 47 / 70	11100-0541	270	2"Flanged	Flange			SK254	816	21676-0001	21849	SP1005-04
828 MTEA	10880-2611	200	1½"Flanged	Flange			SK375-0101	816	17935-0001	21849	SP1005-04
	10880-2561	200	1½"Flanged	Flange			SK375-0101	816	17935-0001	21849	SP1005-04
91 SRM / 12L	29850-0031	370	2¾"Flanged	Flange	x	29880-0001	SK410	X4020-424A	17420-0001	21849	SP1094-0060
	29880-0001	370	2¾"Flanged	Flange		Respecified	SK410	X4020-424A	17240-0001	21849	X3001-180F
836 MTCA	9700-21	080	1"Flanged	Flange	x	29600-1001	SK238	890	17937-0001	SP6080-06	SP1003-01
8361 M / SM / SRM	9700-21	080	1"Flanged	Flange	x	29600-1001	SK238	890	17937-0001	SP6080-06	SP1003-01
	29600-1001	080	Ø 32 Hose	Flange		New Pipework	SK385-0101	890	17937-0001	SP6080-0469	SP1003-0111
8460 SRM 45 / 50	11100-0541	270	2"Flanged	Flange			SK254	816	21676-0001	21849	SP1005-04
402IM17	29470-2231C	020	¾" BSP	Flange			SK405-0001	29476-0000	18653-0001	SP2701-1006	X3004-095G
403IM25	29470-2531C	020	¾" BSP	Flange			SK405-0001	29476-0000	18653-0001	SP2701-1006	X3004-095G
404IM33	29470-2431C	020	¾" BSP	Flange			SK405-0001	29476-0000	18653-0001	SP2701-1006	X3004-095G
414IM48	29470-2431C	020	¾" BSP	Flange			SK405-0001	29476-0000	18653-0001	SP2701-1006	X3004-095G
AMERICAN DIESEL - USA											
Ford (UK) 4 Cyl	10950-2401	040	¾"BSP	Flange			SK239	3298	1210-0001	22617-0010	SP1002-02
Ford (UK) 6 Cyl	21140-2401	080	1"BSP	Flange			SK229	890	17937-0001	22617-0010	SP1003-09
BAUDOIN - FRANCE											
GD 106	23430-1301	080	Ø 32 Hose	Flange			SK385-0001	890	17937-0001	SP2700-1027	SP1003-0111
BETA MARINE - UK											
Isuzu - B3KC1	29460-1001	020	Ø 20 Hose	Flange			SK401-0001	2995-0030	18653-0001	SP2701-1006	SP1002-01



Engine Details		Jabsco Pump Details					Service Kit Details				
Engine Model Number	Pump Number	Size	Port Size	Mount Type	Obso-lete	Alternative Pump Number	Kit Number	End Cover Gasket	Impeller	Water Seal	End Cover Screws
BETA MARINE - UK CONTINUED...											
BD3	23430-1251	080	Ø 32 Hose	Flange			SK385-0001	890	17937-0001	SP2700-1027	SP1003-0111
BD4	21140-2601	080	1"BSP	Flange			SK229	890	17937-0001	22617-0010	SP1003-09
BZ482	29460-1401	020	Ø 20 Hose	Flange			SK401-0001	2995-0030	18653-0001	SP2701-1006	SP1002-01
BD662/772	29460-1401	020	Ø 20 Hose	Flange			SK401-0001	2995-0030	18653-0001	SP2701-1006	SP1002-01
BD1005	29460-1301	020	Ø 20 Hose	Flange			SK401-0001	2995-0030	18653-0001	SP2701-1006	SP1002-01
BV1205/1305/1505	29460-1301	020	Ø 20 Hose	Flange			SK401-0001	2995-0030	18653-0001	SP2701-1006	SP1002-01
BV1903/2203	29500-1501	020	Ø 20 Hose	Flange			SK401-0001	2995-0030	18653-0001	SP2701-1006	SP1002-01
BF2803	29500-1501	020	Ø 20 Hose	Flange			SK401-0001	2995-0030	18653-0001	SP2701-1006	SP1002-01
Kubota-Series BZ/BD/BV	29460-1401	020	Ø 20 Hose	Flange			SK401-0001	2995-0030	18653-0001	SP2701-1006	SP1002-01
BOMAC MARINE - USA											
Ford (UK) -4 Cyl	10950-2401	040	¾"BSP	Flange			SK239	3298	1210-0001	22617-0010	SP1002-02
Ford (UK) -6 Cyl	21140-2401	080	1"BSP	Flange			SK229	890	17937-0001	22617-0010	SP1003-09
BUKH-KALUNDBORG											
DV 8 ME / SME	29300-2101C	010	¾"BSP	Flange			SK404-0001	29308-0000	22405-0001	SP2701-1006	X3004-095G
DV 10 L / LME / LSME	29300-2101C	010	¾"BSP	Flange			SK404-0001	29308-0000	22405-0001	SP2701-1006	X3004-095G
DV 10 M	11260-2151	010	¾"BSP	Flange	x	29300-2151C	SK266	1126	4528-0001	SP2701-04	SP1002-01
DV 10 ME / SME	29300-2101C	010	¾"BSP	Flange			SK404-0001	29308-0000	22405-0001	SP2701-1006	X3004-095G
DV 20 M	11260-2101	010	¾"BSP	Flange	x	29300-2201C	SK266	1126	4528-0001	SP2701-04	SP1002-01
DV 20,24,36 ME / SME	29300-2101C	010	¾"BSP	Flange			SK404-0001	29308-0000	22405-0001	SP2701-1006	X3004-095G
2G/3G 105M	10-32256-1	040							1210-0001		
4K 105 M	9710-205	080	1"BSP	Foot			SK229-01	2432	17937-0001	22617-0010	SP1003-09
6K 105 M	9710-204	080	1"BSP	Foot	x		SK229	890	17937-0001	22617-0010	SP1003-09
C - POWER (MARINE) LTD											
3.323 / 329	21090-204	040	¾"BSP	Flange	x		SK230	816	836-0001	21849	SP1005-04
3.333 / 333 H	21090-204	040	¾"BSP	Flange	x		SK230	816	836-0001	21849	SP1005-04
4.18	6490-223	040	½"BSP	Foot			SK225-01	6496	1210-0001	SP2701-21	SP1003-09
4.90	52040-2001	040	¾"BSP	Foot			SK384-0101	3298	1210-0001	SP2701-1015	X3001-095F
4.120	3270-200	040	¾"BSP	Flange	x	29500-1001	SK271	3298	1210-0001	SP2701-21	SP1002-02
4.120	29500-1001	040	Ø 28 Hose	Flange			SK384-0001	3298	1210-0001	SP2700-1027	SP1002-02
4.220	6490-223	040	½"BSP	Foot			SK225-01	6496	1210-0001	SP2701-21	SP1003-09
4.254	10950-2441	040	¾"BSP	Flange	x	10950-2601	SK239	3298	1210-0001	22617-0010	SP1002-02
4.254	10950-2601	040	¾"BSP	Flange			SK239	3298	1210-0001	22617-0010	SP1002-02
4.254	21140-2401	080	1"BSP	Flange			SK229	890	17937-0001	22617-0010	SP1003-09
4.442	21090-204	040	¾"BSP	Flange	x		SK230	816	836-0001	21849	SP1005-04
4.444	23430-1201	080	Ø 32 Hose	Flange			SK385-0001	890	17937-0001	SP2700-1027	SP1003-0111
6.216	21140-2401	080	1"BSP	Flange			SK229	890	17937-0001	22617-0010	SP1003-09
6.363 TC / TC 1C	21140-200	080	1"BSP	Flange	x	21140-2401	SK229	890	17937-0001	22617-0010	SP1003-09
6.363 TC / TC 1C	21140-2401	080	1"BSP	Flange			SK229	890	17937-0001	22617-0010	SP1003-09
6.380	21140-200	080	1"BSP	Flange	x	21140-2401	SK229	890	17937-0001	22617-0010	SP1003-09
6.380	21140-2401	080	1"BSP	Flange			SK229	890	17937-0001	22617-0010	SP1003-09
6.666	23430-1201	080	Ø 32 Hose	Flange			SK385-0001	890	17937-0001	SP2700-1027	SP1003-0111
6.78 LTT I	29700-1201	120	Ø 45 Hose	Flange			SK386-0001	890	17018-0001	SP6080-0469	SP1003-0111
Ford 2500	23430-1201	080	Ø 32 Hose	Flange			SK385-0001	890	17937-0001	SP2700-1027	SP1003-0111
Ford 2720	21140-2401	080	1"BSP	Flange			SK229	890	17937-0001	22617-0010	SP1003-09
CUMMINS - UK											
NH 250M	3570	200	1¼"Flanged	Flange			SK375-0101	816	17935-0001	21849	SP1005-04
NT 855M	7420-0101	200	1¼"NPT	Foot			SK375-0101	816	17935-0001	21849	SP1005-04
V504M	11600	080	1" NPT	Foot			SK299	890	17937-0001	22617-0010	SP1003-09
V555M SC	21680-05	080	1¼"NPT	Foot			SK315-0101	816	17935-0001	21849	SP1005-04
VT555M SC	21680-05	080	1¼"NPT	Foot			SK315-0101	816	17935-0001	21849	SP1005-04

 Cooling Pump Spares by
 Make of Engine **Be-Cu**

Flexible Impeller Pumps -



Cooling Pump Spares by Make of Engine **Cu-Fa**

Flexible Impeller Pumps -

Engine Details		Jabsco Pump Details					Service Kit Details				
Engine Model Number	Pump Number	Size	Port Size	Mount Type	Obso-lete	Alternative Pump Number	Kit Number	End Cover Gasket	Impeller	Water Seal	End Cover Screws
CUMMINS - UK CONTINUED...											
VT55M BC	7420-0004	200	1¼"NPT	Foot	x	7420-0101	SK375-0101	816	17935-0001	21849	SP1005-04
VT55M BC	7420-0101	200	1¼"NPT	Foot			SK375-0101	816	17935-0001	21849	SP1005-04
VT555M BC	7420-0101	200	1¼"NPT	Foot			SK375-0101	816	17935-0001	21849	SP1005-04
B-Series	23430-1401	080	Ø 32 Hose	Flange			SK385-0001	890	17937-0001	SP2700-1027	SP1003-0111
						Sherwood Pump			18948-0001		
DAF - NETHERLANDS											
DA 475 / D 575 M	6420-2001	080	1"BSP	Foot	x	52080-2001	SK385-0201	890	17937-0001	SP2700-1027	SP1003-09
DA 475 / D 575 M	52080-2001	080	1"BSP	Foot			SK406-0001	890	17937-0001	SP2700-1027	X3001-147F
DS 575 M	9710-200	080	1"BSP	Foot			SK229	890	17937-0001	22617-0010	SP1003-09
DT 575 MY	11410-200	040	¾"BSP	Foot	x	Bilge	SK328	11415	1210-0001	22617-0010	SP1003-08
	Dual Pump	080	1"BSP	Foot		Cooling	SK328	890	17937-0001	22617-0010	SP1003-11
DT 615 MY											
D 600	11100-0151	270	2"Flanged	Flange	x		SK254	816	21676-0001	21849	SP1005-04
D 620	10630-57	200	1½"Flanged	Flange	x	52220-0011	SK230	816	836-0001	21849	SP1005-04
D 620	52220-0051	200	1½"Flanged	Flange			SK407-0011	816	17935-0001	SP6080-0374	X3001-176F
DP 680 M	9710-200	080	1"BSP	Foot			SK229	890	17937-0001	22617-0010	SP1003-09
DP 680 M	11410-200	040	¾"BSP	Foot	x	Bilge	SK328	11415	1210-0001	22617-0010	SP1003-08
	Dual Pump	080	1"BSP	Foot		Cooling	SK328	890	17937-0001	22617-0010	SP1003-11
DK 1160 MY	10770-57	200	1½"Flanged	Flange			SK230	816	836-0001	21849	SP1005-04
DKS 1160 M	11100-0101	270	2"Flanged	Flange	x		SK254	816	21676-0001	21849	SP1005-04
DKT 1160	11100-0141	270	2"Flanged	Flange	x		SK254	816	21676-0001	21849	SP1005-04
DAYTONA - USA											
DME - 4	30892-0001						90135-0001	18753-0343	30919-0001	18753-0342	
DME - 6	30892-0001						90135-0001	18753-0343	30919-0001	18753-0342	
DME - 7 (To Mid 1995)	17360-1001						90190-0001	17365-1000	17365-0001	96080-0371	91005-0040
DME - 7 (From Mid 1995)	17490-0001							17365-1000	17936-0001	96080-0371	91005-0040
DME - 9 (To Mid 1995)	17360-1001						90190-0001	17365-1000	17365-0001	96080-0371	91005-0040
DME - 9 (From Mid 1995)	17490-0001							17365-1000	17936-0001	96080-0371	91005-0040
DRINKWAARD - NETHERLANDS											
DAF D - Series											
A 475 / D 575 / F 615	6420-2001	080	1"BSP	Foot	x	52080-2001	SK385-0201	890	17937-0001	SP2700-1027	SP1003-09
A 475 / D 575 / F 615	52080-2001	080	1"BSP	Foot			SK406-0001	890	17937-0001	SP2700-1027	X3001-147F
Mercedes											
OM 314 / 352 / 352A	6420-2001	080	1"BSP	Foot	x	52080-2001	SK385-0201	890	17937-0001	SP2700-1027	SP1003-09
OM 314 / 352 / 352A	52080-2001	080	1"BSP	Foot			SK406-0001	890	17937-0001	SP2700-1027	X3001-147F
OM 615 / 621 / 636	3270-2301	040	¾"BSP	Flange	x		SK33	3298	1210-0001	SP2701-21	SP1002-02
OM 616 / 617	23430-1601	080	Ø 32 Hose	Flange			SK385-0001	890	17937-0001	SP2700-1027	SP1003-0111
Mitsubishi											
KE 75	3270-2301	040	¾"BSP	Flange	x		SK33	3298	1210-0001	SP2701-21	SP1002-02
K 3D / 4C	3270-2301	040	¾"BSP	Flange	x		SK33	3298	1210-0001	SP2701-21	SP1002-02
K 2AS	52010-2001	010	¾"NPTF	Foot			SK404-0101	29308-0000	22405-0001	SP2701-0501	X3001-095F
DUFFIELD - UK											
MC 42	29450-1231	020	Ø 20 Hose	Flange			SK387-0001	2995-0030	673-0001	SP2700-05	SP1002-01
3HD 46	29450-1201	020	Ø 20 Hose	Flange			SK387-0001	2995-0030	673-0001	SP2700-05	SP1002-01
ENTEC WEST -											
K 34	29300-2401	010	¾"BSP	Flange			SK404-0001	29308-0000	22405-0001	SP2701-1006	X3004-095G
FARYMANN DIESEL - GERMANY											
A 30M / H	11620-211	010	¾"BSP	Flange	x		SK23	1189	4528-0001	SP2701-11	SP1002-01



Engine Details		Jabsco Pump Details					Service Kit Details				
Engine Model Number	Pump Number	Size	Port Size	Mount Type	Obso-lete	Alternative Pump Number	Kit Number	End Cover Gasket	Impeller	Water Seal	End Cover Screws
FARYMANN DIESEL - GERMANY CONTINUED...											
A 30						Johnson Pump			22405-0001		
A 40M / H	11620-211	010	¼"BSP	Flange	x		SK23	1189	4528-0001	SP2701-11	SP1002-01
AL 35						Johnson Pump			22405-0001		
AL 40						Johnson Pump			22405-0001		
CS	6540-201	020	¾"BSP	Foot	x		SK205-01	2995-0030	673-0001	B22	SP8019-01
CS	2620-211	020	¾"BSP	Foot	x	2620-200	SK20	2995-0030	673-0001	SP2700-05	SP1002-02
CS	2620-200	020	¾"BSP	Foot			SK20	2995-0030	673-0001	SP2700-05	SP1002-02
DS / ES / GS	9360	010	¼"BSP	Foot	x			1126	4528-0001	AL22	SP8019-01
DS / ES / GS	AL¼-200	010	¼"BSP	Foot			SK1	1126	4528-0001	AL22	SP1002-01
FK2	29300-2001	010	¾"BSP	Flange			SK404-0001	29308-0000	22405-0001	SP2701-1006	X3004-095G
FK3	29470-2031	020	¾"BSP	Flange			SK405-0001	29476-0000	18653-0001	SP2701-1006	X3004-095G
K 30 M	9360	010	¼"BSP	Foot	x			1126	4528-0001	AL22	SP8019-01
K 30 M	AL¼-200	010	¼"BSP	Foot			SK1	1126	4528-0001	AL22	SP1002-01
K 30 M	11260-211	010	¼"BSP	Flange	x		SK266	1126	4528-0001	SP2701-04	SP1002-01
K 30						Johnson Pump			22405-0001		
K 34	29300-2401	010	¾"BSP	Flange			SK404-0001	29308-0000	22405-0001	SP2701-1006	X3004-095G
	52010-2001	010	¾"NPTF	Foot			SK404-0101	29308-0000	22405-0001	SP2701-0501	X3001-095F
	52020-2031	020	½"BSP	Foot			SK405-0101	2995-0030	18653-0001	SP2701-0501	X3001-095F
L 30						Johnson Pump			22405-0001		
P 30M / H	6540-211	020	¾"BSP	Foot	x		SK205-01	2995-0030	673-0001	B22	SP8019-01
Q 30M / H									673-0001		
R 30M / H	2620-211	020	¾"BSP	Foot	x	2620-200	SK20	2995-0030	673-0001	SP2700-05	SP1002-02
S 30M / H	2620-211	020	¾"BSP	Foot	x	2620-200	SK20	2995-0030	673-0001	SP2700-05	SP1002-02
S 30M / H	2620-200	020	¾"BSP	Foot			SK20	2995-0030	673-0001	SP2700-05	SP1002-02
FLAGSHIP - USA											
GM 454	23800-0201	060	Ø 32 Hose	Crank			SK331-0251	3298	22120-0001	SP2701-21	SP8019-01
FNM - ITALY											
AM 20 / 45 / ATM 60	22770	020	Ø 25 Hose	Crank	x	29440-1001	SK346	1985-01	673-0001	SP2701-21	SP1004-09
AM 20 / 45 / ATM 60	29440-1001	020	Ø 25 Hose	Crank			SK402-0001	1985-0000	18653-0001	29441-0000	SP1004-09
1.3ATI	52040-2001	040	¾"BSP	Foot			SK384-0101	3298	1210-0001	SP2701-1015	X3001-095F
FORD - UK											
XLD 416 Escort	22770-1101	020	Ø 25 Hose	Crank	x	29440-1101	SK346	1985-01	673-0001	SP2701-21	SP1004-09
XLD 416 Escort	29440-1001	020	Ø 25 Hose	Crank			SK402-0001	1985-0000	18653-0001	29441-0000	SP1004-09
FSD 425	52040-2001	040	¾"BSP	Foot			SK384-0101	3298	1210-0001	SP2701-1015	X3001-095F
FSD 425B	29500-1201	040	Ø 28 Hose	Flange			SK384-0001	3298	1210-0001	SP2700-1027	SP1002-02
BSD 333/ 444/ 666	23430-1201	080	Ø 32 Hose	Flange			SK385-0001	890	17937-0001	SP2700-1027	SP1003-0111
2400 YORK	21690	040	Ø 20 Hose	Flange	x		SK239	3298	1210-0001	22617-0010	SP1002-02
2401E	21690	040	Ø 20 Hose	Flange	x		SK239	3298	1210-0001	22617-0010	SP1002-02
2700 Turbo	21140-201	080	1"BSP	Flange	x	21140-2401	SK229	890	17937-0001	22617-0010	SP1003-09
2704 ET	21140-201	080	1"BSP	Flange	x	21140-2401	SK229	890	17937-0001	22617-0010	SP1003-09
2704 ET	21140-2401	080	1"BSP	Flange			SK229	890	17937-0001	22617-0010	SP1003-09
2701 E	10950-205	040	¾"BSP	Flange	x	10950-2401	SK239	3298	1210-0001	22617-0010	SP1002-02
2704 E	10950-205	040	¾"BSP	Flange	x	10950-2401	SK239	3298	1210-0001	22617-0010	SP1002-02
2704 E	10950-2401	040	¾"BSP	Flange			SK239	3298	1210-0001	22617-0010	SP1002-02
2704 ET / A	10950-201	040	½"BSP	Flange	x	10950-2401	SK239	3298	1210-0001	22617-0010	SP1002-02
2704 ET / A	10950-2401	040	¾"BSP	Flange			SK239	3298	1210-0001	22617-0010	SP1002-02
2711 E	10950-205	040	¾"BSP	Flange	x	10950-2401	SK239	3298	1210-0001	22617-0010	SP1002-02
2712 E	10950-205	040	¾"BSP	Flange	x	10950-2401	SK239	3298	1210-0001	22617-0010	SP1002-02
2713 E	10950-201	040	½"BSP	Flange	x	10950-2401	SK239	3298	1210-0001	22617-0010	SP1002-02
2714 E	10950-201	040	½"BSP	Flange	x	10950-2401	SK239	3298	1210-0001	22617-0010	SP1002-02
2715 E	10950-2401	040	¾"BSP	Flange			SK239	3298	1210-0001	22617-0010	SP1002-02

 Cooling Pump Spares by
 Make of Engine **Fa-Fo**

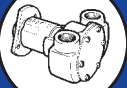
Flexible Impeller Pumps -



Cooling Pump Spares by
Make of Engine **Fo-Ha**

Flexible Impeller Pumps -

Engine Details		Jabsco Pump Details					Service Kit Details				
Engine Model Number	Pump Number	Size	Port Size	Mount Type	Obso-lete	Alternative Pump Number	Kit Number	End Cover Gasket	Impeller	Water Seal	End Cover Screws
FORD - UK CONTINUED...											
2722	10950-2601	040	¾"BSP	Flange			SK239	3298	1210-0001	22617-0010	SP1002-02
2723 / 25 / 26T	21140-2601	080	1"BSP	Flange			SK229	890	17937-0001	22617-0010	SP1003-09
GENESIS 4CYL	29520-2001	040	¾"BSP	Flange			SK239	3298	1210-0001	22617-0010	SP1002-02
GENESIS 6CYL	29620-2001	080	1"BSP	Flange			SK229	890	17937-0001	22617-0010	SP1003-09
G & M POWER PLANT - UK											
4 MDP	29450-1201	020	Ø 20 Hose	Flange			SK387-0001	2995-0030	673-0001	SP2700-05	SP1002-01
BLMC 4 / 98	3270-241	040	¾"BSP	Flange	x		SK271	3298	1210-0001	SP2701-21	SP1002-02
GARDNER - UK											
4 LW (Oil Cooler)	9710-200	080	1"BSP	Foot			SK229	890	17937-0001	22617-0010	SP1003-09
Tropical Service Only											
4 LW	6400-205	200	1½"BSP	Foot	x	52200-2051	SK230	816	836-0001	21849	SP1005-04
4 LW	52200-2051	200	1½"BSP	Foot			SK407-0011	816	17935-0001	21849	X3001-176F
6 LXB	29600-1001	080	Ø 32 Hose	Flange		New Pipework	SK385-0101	890	17937-0001	SP6080-0469	SP1003-0111
HAMWORTHY											
2SF3, 3-4, 3-6	3370-200	040	¾"BSP	Flange	x	9970-200	SK33	3298	1210-0001	SP2701-21	SP1002-02
2SF3, 3-4, 3-6	9970-200	040	¾"BSP	Flange			SK229	3298	1210-0001	22617-0010	SP1002-02
2TF5	4800-111	200	1½"Flanged	Flange	x	11790	SK230	816	836-0001	21849	SP1005-04
2TF5 Mk II and III	11790	200	1½"Flanged	Flange			SK230	816	836-0001	21849	SP1005-04
2TM6 Mk II and III	11790-01	200	1½"Flanged	Flange	x		SK230	816	836-0001	21849	SP1005-04
2MF6	10590-61	270	2"Flanged	Flange	x	10590-62	SK254	816	21676-0001	21849	SP1005-04
2MF62	10590-61	270	2"Flanged	Flange	x	10590-62	SK254	816	21676-0001	21849	SP1005-04
2MF64	10590-61	270	2"Flanged	Flange	x	10590-62	SK254	816	21676-0001	21849	SP1005-04
2MF64	10590-62	270	2"Flanged	Flange			SK254	816	21676-0001	21849	SP1005-04
2SF4, 42	9700-01	080	1"Flanged	Flange			SK238	890	17937-0001	SP6080-06	SP1003-01
HARDIN MARINE - USA											
GM V8	23800-0251	060	Ø 32 Hose	Crank	x	23800-0201	SK331-0251	3298	22120-0001	SP2701-21	SP8019-01
GM V8	23800-0201	060	Ø 32 Hose	Crank			SK331-0251	3298	22120-0001	SP2701-21	SP8019-01
HAWKER SIDDELEY MARINE - UK											
AB 1W	9040-0511	005	½"Hose	Flange		now -1021	SK92-11	7828-01	14609-0001	SP3000-10	SP1002-09
AC 1W	6640-205	010	¾"BSP	Foot	x	52010-2001	SK23	1189	4528-0001	SP2701-11	SP1002-01
AC 2W	6640-205	010	¾"BSP	Foot	x	52010-2001	SK23	1189	4528-0001	SP2701-11	SP1002-01
AC 2W	52010-2001	010	¾"NPTF	Foot			SK404-0101	29308-0000	22405-0001	SP2701-1006	X3001-095F
PJ W	10420	020	Ø 16 Hose	Flange	x	29490-2001C	SK211	10817	673-0001	SP2701-04	SP1002-09
PJ 3	10420	020	Ø 16 Hose	Flange	x	29490-2001C	SK211	10817	673-0001	SP2701-04	SP1002-09
PJ 4	10420	020	Ø 16 Hose	Flange	x	29490-2001C	SK211	10817	673-0001	SP2701-04	SP1002-09
PJ 4	29490-2001C	020	¾"BSP	Flange			SK405-0001	29476-0000	18653-0001	SP2701-1006	X3004-095G
PM 1W / 2W	5870	005	½"BSP	Flange	x	None		5878	12104-0001	SP2701-09	SP1002-09
PJ 1W / 2W	5870	005	½"BSP	Flange	x	None		5878	12104-0001	SP2701-09	SP1002-09
AV / HP-Series	5870	005	½"BSP	Flange	x	None		5878	12104-0001	SP2701-09	SP1002-09
FR 1 / 2 / 3 MGR	3380-200	040	¾"BSP	Flange	x	9970-200	SK33	3298	1210-0001	SP2701-21	SP1002-02
FR 4 / 6 MGR	3370-200	040	¾"BSP	Flange	x	9970-200	SK33	3298	1210-0001	SP2701-21	SP1002-02
FR 4 / 6 MGR	9970-200	040	¾"BSP	Flange			SK229	3298	1210-0001	22617-0010	SP1002-02
HA / HR / HRW 4 / 6	3370-251	040	¾"BSP	Flange	x	9970-261	SK33	3298	1210-0001	SP2701-21	SP1002-02
(Direct Cooling)	9970-261	040	¾"BSP	Flange			SK239	3298	1210-0001	22617-0010	SP1002-02
HA / HW-Series	9970-271	040	¾"BSP	Flange	x	9970-200	SK239	3298	1210-0001	22617-0010	SP1002-02
(Manifold)	3380-221	040	½"BSP	Flange	x	9970-200	SK33	3298	1210-0001	SP2701-21	SP1002-02
HA / HR / HR W2	3370-200	040	¾"BSP	Flange	x	9970-200	SK33	3298	1210-0001	SP2701-21	SP1002-02
(2and 3 Cylinder Heat Exchanger)	9970-200	040	¾"BSP	Flange			SK229	3298	1210-0001	22617-0010	SP1002-02



Engine Details		Jabsco Pump Details					Service Kit Details				
Engine Model Number	Pump Number	Size	Port Size	Mount Type	Obso-lete	Alternative Pump Number	Kit Number	End Cover Gasket	Impeller	Water Seal	End Cover Screws
HAWKER SIDDELEY MARINE - UK CONTINUED...											
JA4 / JW4 / JA6 / JW6	10880-07	200	1½"Flanged	Flange			SK230	816	836-0001	21849	SP1005-04
JP and JK-Series	6420-205	080	1"BSP	Foot	x	52080-2051	SK236	890	17937-0001	SP2701-21	SP1003-09
	52080-2051	080	1"BSP	Foot			SK406-0001	890	17937-0001	SP2700-1027	X3001-147F
SL and SR-Series	AL¼-200	010	¼"BSP	Foot			SK1	1126	4528-0001	AL22	SP1002-01
(Manifold)											
SL4	6640-200	010	¼"BSP	Foot	x	52010-2001	SK23	1189	4528-0001	SP2701-11	SP1002-01
(Manifold)	52010-2001	010	¾"NPTF	Foot			SK404-0101	29308-0000	22405-0001	SP2701-0501	X3001-095F
TS3	6420-2051	080	1"BSP	Foot	x	52080-2051	SK385-0201	2432	17937-0001	SP2700-1027	SP1003-09
TS3	52080-2051	080	1"BSP	Foot			SK406-0001	890	17937-0001	SP2700-1027	X3001-147F
STW2 MGR	11620-211	010	¼"BSP	Flange	x		SK23	1189	4528-0001	SP2701-11	SP1002-01
STW3 MGR	6520-2003	080	1"BSP	Foot	x	51080-2003	SK385-0403	890	17937-0003	SP2700-1027	SP1003-09
52STW3 MGR	51080-2003	080	1"BSP	Foot			SK406-0003	890	17937-0003	SP2700-1027	X3001-147F
HRW4	9970-271	040	¾"BSP	Flange	x	9970-200	SK239	3298	1210-0001	22617-0010	SP1002-02
HRW4	9970-200	040	¾"BSP	Flange			SK229	3298	1210-0001	22617-0010	SP1002-02
HSM D3, 152M	29500-1101	040	Ø 28 Hose	Flange	x		SK384-0001	3298	1210-0001	SP2700-1027	SP1002-02
Piranha 4 Cyl	6490-132	040	½"BSP	Foot	x		SK225-01	6496	1210-0001	SP2701-21	SP1003-09
ALPHA Series											
LPW2	29480-2151	020	¾"BSP	Flange	x		SK405-0001	29476-0000	18653-0001	SP2701-1006	X3004-095G
LPW3	29480-2131	020	¾"BSP	Flange			SK405-0001	29476-0000	18653-0001	SP2701-1006	X3004-095G
LPW4	29500-1451	040	Ø 28 Hose	Flange	x		SK384-0001	3298	1210-0001	SP2700-1027	SP1002-02
CRK3	23430-1201	080	Ø 32 Hose	Flange			SK385-0001	890	17937-0001	SP2700-1027	SP1003-0111
FORD DOVER											
CS4	21140-2601	080	1"BSP	Flange			SK229	890	17937-0001	22617-0010	SP1003-09
CS6	21140-2601	080	1"BSP	Flange			SK229	890	17937-0001	22617-0010	SP1003-09
CST6	21140-2601	080	1"BSP	Flange			SK229	890	17937-0001	22617-0010	SP1003-09
CST16	21140-2601	080	1"BSP	Flange			SK229	890	17937-0001	22617-0010	SP1003-09
HFL - UK											
1500 VW	22620	020	Ø 25 Hose	Crank	x	29440-1101	SK346	1985-01	673-0001	SP6080-08B	SP1004-09
1501 VW	29440-1101	020	Ø 25 Hose	Crank			SK402-0001	1985-0000	18653-0001	29441-0000	SP1004-09
PETTER	52010-2001	010	¾"NPTF	Foot			SK404-0101	29308-0000	22405-0001	SP2701-0501	X3001-095F
INDMAR - USA											
Ford / GM 8Cyl	23800-0251	060	Ø 32 Hose	Crank	x	23800-0201	SK331-0251	3298	22120-0001	SP2701-21	SP8019-01
	23800-0201	060	Ø 32 Hose	Crank			SK331-0251	3298	22120-0001	SP2701-21	SP8019-01
ISOTTA FRASCHINI - ITALY											
D 30.55-6L	10950-201	040	½"BSP	Flange	x	10950-2401	SK239	3298	1210-0001	22617-0010	SP1002-02
D 30.55-6L	10950-2401	040	¾"BSP	Flange			SK239	3298	1210-0001	22617-0010	SP1002-02
ID 32	10630-07	200	1½"Flanged	Foot	x	52220-0011	SK230	816	836-0001	21849	SP1005-04
ID 32	52220-0011	200	1½"Flanged	Foot			SK407-0011	816	17935-0001		X3001-176F
ID 36 / 38	11150-0011	200	2"Flanged	Foot			SK254	816	21676-0001	21849	SP1005-04
H 130	11150-0011	200	2"Flanged	Foot			SK254	816	21676-0001	21849	SP1005-04
L 1306 T2	10590-0201	270	2"Flanged	Flange			SK254	816	21676-0001	21849	SP1005-04
V 1308 T2	10490-07	270	2"Flanged	Foot	x	50270-0911	SK254	816	21676-0001	21849	SP1005-04
V 1308 T2	50270-0911	270	2"Flanged	Foot			SK408-0011	816	17936-0001	21849	SP1095-0640
KELVIN - UK											
DB Series											
	6400-207	200	1¼"BSP	Foot	x	52200-2001	SK230	816	836-0001	SP6080-0374	SP1005-04
	52200-2001	200	1½"BSP	Foot	x	52200-2011	SK407-0011	816	17935-0001	SP6080-0374	X3001-176F
	52200-2011	200	1½"BSP	Foot			SK407-0011	816	17935-0001	SP6080-0374	X3001-176F
	4800-51	200	1½"Flanged	Flange	x		SK230	816	836-0001	21849	SP1005-04
	6590-237	200	1¼"BSP	Foot	x	51200-2003	SK230-37	816	836-0003	SP6080-0374	SP1005-04

 Cooling Pump Spares by
 Make of Engine **Ha-Ke**

Flexible Impeller Pumps -



Cooling Pump Spares by
Make of Engine **Ke-La**

Flexible Impeller Pumps -

Engine Details		Jabsco Pump Details					Service Kit Details				
Engine Model Number	Pump Number	Size	Port Size	Mount Type	Obso-lete	Alternative Pump Number	Kit Number	End Cover Gasket	Impeller	Water Seal	End Cover Screws
KELVIN - UK CONTINUED...											
	51200-2003	200	1½"BSP	Foot		Bilge Option	SK407-0003	816	836-0003	SP6080-0374	X3001-176F
	6520-2003	080	1"BSP	Foot	x	51080-2003	SK385-0403	890	17937-0003	SP2700-1027	SP1003-09
	51080-2003	080	1"BSP	Foot			SK406-0003	890	17937-0003	SP2700-1027	X3001-147F
KUBOTA											
BZ482	29460-1401	020	Ø 20 Hose	Flange			SK401-0001	2995-0030	18653-0001	SP2701-1006	SP1002-01
BD722	29460-1401	020	Ø 20 Hose	Flange			SK401-0001	2995-0030	18653-0001	SP2701-1006	SP1002-01
BD1005	29460-1401	020	Ø 20 Hose	Flange			SK401-0001	2995-0030	18653-0001	SP2701-1006	SP1002-01
BV1305	29460-1401	020	Ø 20 Hose	Flange			SK401-0001	2995-0030	18653-0001	SP2701-1006	SP1002-01
BV1505	29460-1401	020	Ø 20 Hose	Flange			SK401-0001	2995-0030	18653-0001	SP2701-1006	SP1002-01
BV1903	29460-1401	020	Ø 20 Hose	Flange			SK401-0001	2995-0030	18653-0001	SP2701-1006	SP1002-01
BV2203	29460-1401	020	Ø 20 Hose	Flange			SK401-0001	2995-0030	18653-0001	SP2701-1006	SP1002-01
BF2803	29460-1401	020	Ø 20 Hose	Flange			SK401-0001	2995-0030	18653-0001	SP2701-1006	SP1002-01
KTT 2000	3270-2401	040	¾"BSP	Flange	x		SK271	3298	1210-0001	SP2701-21	SP1002-02
KTT 3000	3270-2401	040	¾"BSP	Flange	x		SK271	3298	1210-0001	SP2701-21	SP1002-02
LANCING MARINE - UK											
BMC 1.5+1.8	22960-2001	010	Ø 19 Hose	Foot	x		SK355	21646	4528-0001	SP2701-14	SP1002-09
BMC 2.2+2.5	3270-241	040	¾"BSP	Flange	x		SK271	3298	1210-0001	SP2701-21	SP1002-02
BMC 3.4+3.8 (4/98) 5.1	3270-200	040	¾"BSP	Flange	x	29500-1001	SK271	3298	1210-0001	SP2701-21	SP1002-02
BMC 3.4+3.8 (4/98) 5.1	29500-1001	040	Ø 28 Hose	Flange			SK384-0001	3298	1210-0001	SP2700-1027	SP1002-02
BMC 5.7 + 6/98	22770	020	Ø 25 Hose	Crank	x	29440-1001	SK346	1985-01	673-0001	SP2701-21	SP1004-09
BMC 5.7 + 6/98	29440-1001	020	Ø 25 Hose	Crank			SK402-0001	1985-0000	18653-0001	29441-0000	SP1004-09
Chev V8	22740-0151	060	Ø 32 Hose	Crank			SK331-05	3298	22120-0001	SP2701-21	SP8019-01
Ford											
2700 / 2710 / 2720	10950-201	040	½"BSP	Flange	x	10950-2401	SK239	3298	1210-0001	22626-6000	SP1002-02
2700 / 2710 / 2720	10950-2401	040	¾"BSP	Flange			SK239	3298	1210-0001	22626-6000	SP1002-02
Turbo 4 PC / 6 / Int.	21140-201	080	1"BSP	Flange	x	21140-2401	SK229	890	17937-0001	22626-6000	SP1003-09
Turbo 4 PC / 6 / Int.	21140-2401	080	1"BSP	Flange			SK229	890	17937-0001	22626-6000	SP1003-09
1.1 / 1.6 / 2.0 / OHC / V4	22960-2001	010	Ø 19 Hose	Foot	x		SK355	21646	4528-0001	SP2701-14	SP1002-09
V6 2.3 / 2.8 / 2.5 / 3.0	22770	020	Ø 25 Hose	Crank	x	29440-1001	SK346	1985-01	673-0001	SP2701-21	SP1004-09
V6 2.3 / 2.8 / 2.5 / 3.0	29440-1001	020	Ø 25 Hose	Crank			SK402-0001	1985-0000	18653-0001	29441-0000	SP1004-09
590E / 592E	21820-2001	040	¾"BSP	Foot	x	52040-2001	SK33	3298	1210-0001	SP2701-21	SP1002-02
(4 Cylinder)	52040-2001	040	¾"BSP	Foot			SK384-0101	3298	1210-0001	SP2700-1027	X3001-095F
GM / Bedford											
220 + 330	22770	020	Ø 25 Hose	Crank	x	29440-1001	SK346	1985-01	673-0001	SP2701-21	SP1004-09
220 + 330	29440-1001	020	Ø 25 Hose	Crank			SK402-0001	1985-0000	18653-0001	29441-0000	SP1004-09
381 + 466 + 500	22740-0151	060	Ø 32 Hose	Crank			SK331-05	3298	22120-0001	SP2701-21	SP8019-01
Gardner											
6LX + 6LXB + 8LXB	6420-2001	080	1"BSP	Foot	x	52080-2001	SK385-0201	890	17937-0001	SP2700-1027	SP1003-09
6LX + 6LXB + 8LXB	52080-2001	080	1"BSP	Foot			SK406-0001	890	17937-0001	SP2700-1027	X3001-147F
Jaguar											
2.4 + 4.2	3270-200	040	¾"BSP	Flange	x	29500-1001	SK271	3298	1210-0001	SP2701-21	SP1002-02
2.4 + 4.2	29500-1001	040	Ø 28 Hose	Flange			SK384-0001	3298	1210-0001	SP2700-1027	SP1002-02
Leyland											
400 + 401 + 402	23080-1151	060	Ø 32 Hose	Flange	x		SK363-0051	3298	22120-0001	22626-6000	SP1002-01
Mercedes											
180 + 190 + 200 + 220	22960-2001	010	Ø 19 Hose	Foot	x		SK355	21646	4528-0001	SP2701-14	SP1002-09
OM314 + 321 + 352	22770	020	Ø 25 Hose	Crank	x	29440-1001	SK346	1985-01	673-0001	SP2701-21	SP1004-09
OM314 + 321 + 352	29440-1001	020	Ø 25 Hose	Crank			SK402-0001	1985-0000	18653-0001	SP6080-0408	SP1004-09
Perkins											
3.152	22960-2001	010	Ø 19 Hose	Foot	x		SK355	21646	4528-0001	SP2701-14	SP1002-09
4.203	3270-200	040	¾"BSP	Flange	x	29500-1001	SK271	3298	1210-0001	SP2701-21	SP1002-02ab
4.203	29500-1001	040	Ø 28 Hose	Flange			SK384-0001	3298	1210-0001	SP2700-1027	SP1002-02



Engine Details		Jabsco Pump Details					Service Kit Details				
Engine Model Number	Pump Number	Size	Port Size	Mount Type	Obso-lete	Alternative Pump Number	Kit Number	End Cover Gasket	Impeller	Water Seal	End Cover Screws
LANCING MARINE - UK CONTINUED...											
4.236	10970	040	¾"BSP	Flange			SK268-01	3298	1210-0001	22626-6000	SP1002-02
4.248	22770	020	Ø 25 Hose	Crank	x	29440-1001	SK346	1985-01	673-0001	SP2701-21	SP1004-09
4.248	29440-1001	020	Ø 25 Hose	Crank			SK402-0001	1985-0000	18653-0001	29441-0000	SP1004-09
6.354	21820-2001	040	¾"BSP	Foot	x	52040-2001	SK33	3298	1210-0001	SP2701-21	SP1002-02
6.354	52040-2001	040	¾"BSP	Foot			SK384-0101	3298	1210-0001	SP2701-1015	X3001-095F
T6 354	6420-2001	080	1"BSP	Foot	x	52080-2001	SK385-0201	890	17937-0001	SP2700-1027	SP1003-09
T6 354	52080-2001	080	1"BSP	Foot			SK406-0001	890	17937-0001	SP2700-1027	X3001-147F
510 V8	11120-200	080	1"BSP	Flange			SK229	890	17937-0001	22626-6000	SP1003-09
4.99 + 4.107 + 4.108	22960-2001	010	Ø 19 Hose	Foot	x		SK355	21646	4528-0001	SP2701-14	SP1002-09
Peugeot											
XD2 1.9&2.5	22770	020	Ø 25 Hose	Crank	x	29440-1001	SK346	1985-01	673-0001	SP2701-21	SP1004-09
XD2 1.9&2.5	29440-1001	020	Ø 25 Hose	Crank			SK402-0001	1985-0000	18653-0001	29441-0000	SP1004-09
Volvo											
TD70 + TD70E	11120-200	080	1"BSP	Flange			SK229	890	17937-0001	22626-6000	SP1003-09
VW Golf											
1500 + 1600	22960-2001	010	Ø 19 Hose	Foot	x		SK355	21646	4528-0001	SP2701-14	SP1002-09
Ford Genesis											
4 Cyl	29520-2001	040	¾"BSP	Flange			SK239	3298	1210-0001	22626-6000	SP1002-02
6 Cyl	29620-2001	080	1"BSP	Flange			SK229	890	17937-0001	22626-6000	SP1003-09
LEHMAN POWER LTD - UK											
4D220	6420-0101	080	1"NPT	Foot	x	52220-0011	SK236	890	17937-0001	SP2701-21	SP1003-09
4D220	52220-0011	200	1½"Flanged	Foot			SK407-0011	816	17935-0001	SP6080-0374	X3001-176F
6D380	5850-0001	040	¾"NPT	Flange			SK33	3298	1210-0001	SP2701-21	SP1002-02
Mercraft 24 / 57	21690-200	040	¾"BSP	Flange	x		SK239	3298	1210-0001	22626-6000	SP1002-02
Mercraft 24 / 87	21690-200	040	¾"BSP	Flange	x		SK239	3298	1210-0001	22626-6000	SP1002-02
Mercraft 80	10950-204	040	¾"BSP	Flange	x	10950-2401	SK239	3298	1210-0001	22626-6000	SP1002-02
Mercraft 120	10950-204	040	¾"BSP	Flange	x	10950-2401	SK239	3298	1210-0001	22626-6000	SP1002-02
Mercraft 120	10950-2401	040	¾"BSP	Flange			SK239	3298	1210-0001	22626-6000	SP1002-02
Mercraft 150 Turbo	3370-200	040	¾"BSP	Flange	x	9970-200	SK33	3298	1210-0001	SP2701-21	SP1002-02
Mercraft 150 Turbo	9970-200	040	¾"BSP	Flange			SK229	3298	1210-0001	22626-6000	SP1002-02
Mercraft 180 Turbo	21140-200	080	1"BSP	Flange	x	21140-2401	SK229	890	17937-0001	22626-6000	SP1003-09
Mercraft 180 Turbo	21140-2401	080	1"BSP	Flange			SK229	890	17937-0001	22626-6000	SP1003-09
Mercraft 210 Turbo	21580-200	080	1"BSP	Flange	x		SK229	890	17937-0001	22626-6000	SP1003-09
Mercraft 250 Turbo	21580-200	080	1"BSP	Flange	x		SK229	890	17937-0001	22626-6000	SP1003-09
Mercraft 150 Turbo Inc.	10950-204	040	¾"BSP	Flange	x	10950-2401	SK239	3298	1210-0001	22626-6000	SP1002-02
Mercraft 150 Turbo Inc.	21140-2401	080	1"BSP	Flange			SK229	890	17937-0001	22626-6000	SP1003-09
Mercraft 180 Turbo Inc.	21140-204	080	1"BSP	Flange	x	21140-2401	SK229	890	17937-0001	22626-6000	SP1003-09
Mercraft 180 Turbo Inc.	21140-2401	080	1"BSP	Flange			SK229	890	17937-0001	22626-6000	SP1003-09
Ford Dover	10950-2601	040	¾"BSP	Flange			SK239	3298	1210-0001	22626-6000	SP1002-02
Ford Dover	21140-2601	080	1"BSP	Flange			SK229	890	17937-0001	22626-6000	SP1003-09
Super 355	29700-1201	120	Ø 45 Hose	Flange			SK386-0001	890	17018-0001	SP6080-0469	SP1003-0111
LEYLAND THORNYCROFT - UK											
RF LD-220	4900-201	040	½"BSP	Foot	x		SK234	4908	4568-0001	3791	SP1003-09
RF 6-330	JD¾-201	040	¾"BSP	Foot	x	JD¾-200	SK220	706-01	4598-0001	3791	SP1003-02
RF 6-330	JD¾-200	040	¾"BSP	Foot			SK220	706-01	4598-0001	C20	SP1003-02
90 / 90E / 90 / 2 / 108 / 2	4900-200	040	½"BSP	Foot			SK234	4908	4568-0001	3791	SP1003-09
90 / 90E / 90 / 2 / 108 / 2	52040-2401	040	¾"BSP	Foot			SK384-0101	3298	1210-0001	SP2701-1015	X3001-095F
138 / 152 / 154 / 160	3270-271	040	¾"BSP	Flange	x		SK271	3298	1210-0001	SP2701-21	SP1002-02
230	9700-151	080	1"Flanged	Flange			SK238-01	3101	17937-0001	SP6080-06	SP1003-01
238 / T 238	23430-1301	080	Ø 32 Hose	Flange			SK385-0001	890	17937-0001	SP2700-1027	SP1003-0111
240 / 250 / 251	10950-204	040	¾"BSP	Flange	x	10950-2401	SK239	3298	1210-0001	22626-6000	SP1002-02
240 / 250 / 251	10950-2401	040	¾"BSP	Flange			SK239	3298	1210-0001	22626-6000	SP1002-02

 Cooling Pump Spares by
 Make of Engine **La-Le**

Flexible Impeller Pumps -



Cooling Pump Spares by
Make of Engine **Le-Me**

Flexible Impeller Pumps -

Engine Details		Jabsco Pump Details					Service Kit Details				
Engine Model Number	Pump Number	Size	Port Size	Mount Type	Obso-lete	Alternative Pump Number	Kit Number	End Cover Gasket	Impeller	Water Seal	End Cover Screws
LEYLAND THORNYCROFT - UK CONTINUED...											
331	10950-200	040	¾"BSP	Flange	x	10950-2401	SK239	3298	1210-0001	22626-6000	SP1002-02
331	10950-2401	040	¾"BSP	Flange			SK239	3298	1210-0001	22626-6000	SP1002-02
345	9700-171	080	1"Flanged	Flange	x		SK238	890	17937-0001	SP6080-06	SP1003-01
358 / T358 / TA358	23430-1301	080	Ø 32 Hose	Flange			SK385-0001	890	17937-0001	SP2700-1027	SP1003-0111
360	10950-200	040	¾"BSP	Flange	x	10950-2401	SK239	3298	1210-0001	22626-6000	SP1002-02
360	10950-2401	040	¾"BSP	Flange			SK239	3298	1210-0001	22626-6000	SP1002-02
360.1 / T360.1 / 380 / 1	21140-204	080	1"BSP	Flange	x	21140-2401	SK229	890	17937-0001	22626-6000	SP1003-09
360.1 / T360.1 / 380 / 1	10950-2401	040	¾"BSP	Flange			SK239	3298	1210-0001	22626-6000	SP1002-02
400 / T400 / 500	9700-01	080	1"Flanged	Flange			SK238	890	17937-0001	SP6080-06	SP1003-01
T500	4800-51	200	1½"Flanged	Flange	x		SK230	816	836-0001	21849	SP1005-04
590 / 690 / 691 / 760	6400-205	200	1¼"BSP	Foot	x	52200-2051	SK230	816	836-0001	SP6080-0374	SP1005-04
590 / 690 / 691 / 760	52200-2051	200	1¼"BSP	Foot			SK407-0011	816	17935-0001	SP6080-0374	X3001-176F
760 / AVT 1100	6400-207	200	1¼"BSP	Foot	x	52200-2001	SK230	816	836-0001	SP6080-0374	SP1005-04
760 / AVT 1100	52200-2001	200	1¼"BSP	Foot	x	52200-2011	SK407-0011	816	17935-0001	SP6080-0374	X3001-176F
760 / AVT 1100	52200-2011	200	1¼"BSP	Foot			SK407-0011	816	17935-0001	SP6080-0374	X3001-176F
LISTER, R.A. - SEE HAWKER SIDDELEY MARINE											
LOMBARDINI - ITALY											
672 / 673 / 674	11620-200	010	¼"BSP	Flange	x	22830-2101	SK23	1189	4528-0001	SP2701-11	SP1002-01
832 / 833 / 834	11620-200	010	¼"BSP	Flange	x	22830-2101	SK23	1189	4528-0001	SP2701-11	SP1002-01
832 / 833 / 834	22830-2101	010	¾"BSP	Flange			SK23	1189	4528-0001	SP2701-14	SP1002-01
LDW 602M / LDW 903M	29470-2231	020	¾"BSP	Flange			SK405-0001	29476-0000	18653-0001	SP2701-1006	X3004-095G
LDW 1204M	29470-2531	020	¾"BSP	Flange			SK405-0001	29476-0000	18653-0001	SP2701-1006	X3004-095G
LDW 1503	29470-2431	020	¾"BSP	Flange			SK405-0001	29476-0000	18653-0001	SP2701-1006	X3004-095G
LDW 2004M / T	29470-2431	020	¾"BSP	Flange			SK405-0001	29476-0000	18653-0001	SP2701-1006	X3004-095G
MAN - GERMANY											
D0224ME	23020-1101	060	Ø 32 Hose	Crank			SK331-05	3298	22120-0001	SP6080-08B	SP8019-01
D0226ME	23020-1101	060	Ø 32 Hose	Crank			SK331-05	3298	22120-0001	SP6080-08B	SP8019-01
D0226MLE	23060-1101	060	Ø 32 Hose	Crank	x	Dual Pump	SK360	3298	22120-0001	SP6080-08B	SP1002-03
D0226MTE	23060-1101	060	Ø 32 Hose	Crank	x	Dual Pump	SK360	3298	22120-0001	SP6080-08B	SP1002-03
D0826GLE40/ML	29600-1201	080	Ø 32 Hose	Flange			SK385-0101	890	17937-0001	SP6080-0469	SP1003-0111
D2530M /MT	22040-0501	270	2"Flanged	Flange			SK318	816	21676-0001	21849	SP1005-04
D2540L /ML /MT	22040-0501	270	2"Flanged	Flange			SK318	816	21676-0001	21849	SP1005-04
D2542L /ME/ MLE/ MTE	23010-0531	080	1"BSP	Flange	x	Bilge	SK357-0001	11746	17937-0001	21849	SP1005-03
	Dual Pump	270	2"Flange	Flange		Cooling	SK357-0001	816	21676-0001	21849	SP1005-03
W4V 14/18	5400-205	200	1¼"BSP	Foot	x	52200-2051					
W6V 14/18	5400-205	200	1¼"BSP	Foot	x	52200-2051					
W3V 17,5/22A	5400-205	200	1¼"BSP	Foot	x	52200-2051					
W3V 17,5/22A	52200-2051	200	1½"BSP	Foot			SK407-0011	816	17935-0001	SP6080-0374	X3001-176F
W4V 17,5/22A	7870-251	200	1¼"BSP	Foot	x		SK230	816	836-0001	21849	SP1005-04
W5V 17,5/22A	7870-251	200	1¼"BSP	Foot	x		SK230	816	836-0001	21849	SP1005-04
W6V 17,5/22A	7870-251	200	1¼"BSP	Foot	x		SK230	816	836-0001	21849	SP1005-04
W8V 17.5/22A	7870-251	200	1¼"BSP	Foot	x		SK230	816	836-0001	21849	SP1005-04
MARINE POWER - USA											
GM454 / Ford351	23800-0201	060	Ø 32 Hose	Crank			SK331-0251	3298	22120-0001	SP2701-21	SP8019-01
GM 4 Cylinder	52040-2001	040	¾"BSP	Foot			SK384-0101	3298	1210-0001	SP2700-1027	X3001-095F
MERCUISER (MDE) - USA											
D183	29700-1331	120	Ø 45 Hose	Flange			SK386-0001	890	17018-0001	SP6080-0469	SP1003-0111
D219	23430-1031	080	Ø 32 Hose	Flange			SK385-0001	890	17937-0001	SP2700-1027	SP1003-0111
D254	29700-1331	120	Ø 45 Hose	Flange			SK386-0001	890	17018-0001	SP6080-0469	SP1003-0111



Engine Details		Jabsco Pump Details					Service Kit Details				
Engine Model Number	Pump Number	Size	Port Size	Mount Type	Obso-lete	Alternative Pump Number	Kit Number	End Cover Gasket	Impeller	Water Seal	End Cover Screws
MERMAID MARINE - UK											
105 / 130	21140-204	080	1"BSP	Flange	x	21140-2401	SK229	890	17937-0001	22626-6000	SP1003-09
397 / 595 / ET / .INT	21140-204	080	1"BSP	Flange	x	21140-2401	SK229	890	17937-0001	22626-6000	SP1003-09
397 / 595 / ET / .INT	21140-2401	080	1"BSP	Flange			SK229	890	17937-0001	22626-6000	SP1003-09
595TP	21580-200	080	1"BSP	Flange	x		SK229	890	17937-0001	22626-6000	SP1003-09
Ford 2704 ET	21580-200	080	1"BSP	Flange	x		SK229	890	17937-0001	22626-6000	SP1003-09
Flat Four / Six	21140-204	080	1"BSP	Flange	x	21140-2401	SK229	890	17937-0001	22626-6000	SP1003-09
Turbo Four	21140-204	080	1"BSP	Flange	x	21140-2401	SK229	890	17937-0001	22626-6000	SP1003-09
Turbo Four	21140-2401	080	1"BSP	Flange			SK229	890	17937-0001	22626-6000	SP1003-09
Turbo Plus	21140-2641	080	1"BSP	Flange	x		SK229	890	17937-0001	22626-6000	SP1003-09
Mariner 2715E	21140-2441	080	1"BSP	Flange	x		SK229	890	17937-0001	22626-6000	SP1003-09
Mariner 2720E	21140-2641	080	1"BSP	Flange	x		SK229	890	17937-0001	22626-6000	SP1003-09
Magnum	29700-1201	120	Ø 45 Hose	Flange			SK386-0001	890	17018-0001	SP6080-0469	SP1003-0111
Majestic	21140-2641	080	1"BSP	Flange	x		SK229	890	17937-0001	22626-6000	SP1003-09
Manta	23430-1201	080	Ø 32 Hose	Flange			SK385-0001	890	17937-0001	SP2700-1027	SP1003-0111
Meermin	52040-2001	040	¾"BSP	Foot			SK384-0101	3298	1210-0001	SP2700-1027	X3001-095F
Melody	21140-2641	080	1"BSP	Flange	x		SK229	890	17937-0001	22626-6000	SP1003-09
Melody 2	29600-1401										
Merlin FSD	52040-2001	040	¾"BSP	Foot			SK384-0101	3298	1210-0001	SP2700-1027	X3001-095F
Merlin FSD	29500-1201	040	Ø 28 Hose	Flange			SK384-0001	3298	1210-0001	SP2700-1027	SP1002-02
Merlin Turbo	22750-1101	060	Ø 32 Hose	Crank			SK331-05	3298	22120-0001	SP2701-21	SP8019-01
Meteor XLD	22770-1101	020	Ø 25 Hose	Crank	x	29440-1101	SK346	1985-01	673-0001	SP2701-21	SP1004-09
Meteorite	22770-1101	020	Ø 25 Hose	Crank	x	29440-1101	SK346	1985-01	673-0001	SP2701-21	SP1004-09
Meteorite	29440-1101	020	Ø 25 Hose	Crank			SK402-0001	1985-0000	18653-0001	29441-0000	SP1004-09
Minuet	52040-2001	040	¾"BSP	Foot			SK384-0101	3298	1210-0001	SP2700-1027	X3001-095F
Mistral	21140-2641	080	1"BSP	Flange	x		SK229	890	17937-0001	22626-6000	SP1003-09
Monarch	21140-2641	080	1"BSP	Flange	x		SK229	890	17937-0001	22626-6000	SP1003-09
MITSUBISHI											
K 2AS	52010-2001	010	¾"NPTF	Foot			SK404-0101	29308-0000	22405-0001	SP2701-1006	X3001-095F
K 2C	29470-2351	020	¾"BSP	Flange	x	29470-2351C	SK405-0001	29476-0000	18653-0001	SP2701-1006	X3004-095G
K 3M	29470-2331	020	¾"BSP	Flange	x	29470-2331C	SK405-0001	29476-0000	18653-0001	SP2701-1006	X3004-095G
K 3E / 4E	29470-2351	020	¾"BSP	Flange	x	29470-2351C	SK405-0001	29476-0000	18653-0001	SP2701-1006	X3004-095G
S 4E2	23430-1041	080	Ø 32 Hose	Flange	x		SK385-0001	890	17937-0001	SP2700-1027	SP1003-0111
S 6E2	23430-1041	080	Ø 32 Hose	Flange	x		SK385-0001	890	17937-0001	SP2700-1027	SP1003-0111
S 6E2	23430-1001	080	Ø 32 Hose	Flange			SK385-0001	890	17937-0001	SP2700-1027	SP1003-0111
4 DQ50	23430-1051	080	Ø 32 Hose	Flange			SK385-0001	890	17937-0001	SP2700-1027	SP1003-0111
4 DQ50	23430-1041	080	Ø 32 Hose	Flange	x		SK385-0001	890	17937-0001	SP2700-1027	SP1003-0111
K & L series, 2,3,4 cylinder	29400-1101										-000
MWM - GERMANY											
KD 1105 Z	9970-241-37	040	¾"BSP	Flange			SK239-37	3298	1210-0003	22626-6000	SP1002-02
KD 1105 D	9970-241-37	040	¾"BSP	Flange			SK239-37	3298	1210-0003	22626-6000	SP1002-02
KD 1105 V	9970-241-37	040	¾"BSP	Flange			SK239-37	3298	1210-0003	22626-6000	SP1002-02
KD 1105 S	9970-241-37	040	¾"BSP	Flange			SK239-37	3298	1210-0003	22626-6000	SP1002-02
D 208	9970-241-37	040	¾"BSP	Flange			SK239-37	3298	1210-0003	22626-6000	SP1002-02
TKD 1105 V&S	9970-251	040	¾"BSP	Flange	x	9970-241	SK239	3298	1210-0001	22626-6000	SP1002-02
KD 1105	9970-251	040	¾"BSP	Flange	x	9970-241	SK239	3298	1210-0001	22626-6000	SP1002-02
TD 208-4 & 6	9970-251	040	¾"BSP	Flange	x	9970-241	SK239	3298	1210-0001	22626-6000	SP1002-02
D 2086	9970-251	040	¾"BSP	Flange	x	9970-241	SK239	3298	1210-0001	22626-6000	SP1002-02
D 2086	9970-241	040	¾"BSP	Flange		Direct Cooling	SK241	3298	1210-0001	22626-6000	SP1002-02
D 225 4 & 6	9970-241-37	040	¾"BSP	Flange			SK239-37	3298	1210-0003	22626-6000	SP1002-02
D226-2 -3-4 & 6	9970-241	040	¾"BSP	Flange		Direct Cooling	SK241	3298	1210-0001	22626-6000	SP1002-02
TD 226-6	9970-241	040	¾"BSP	Flange		Direct Cooling	SK241	3298	1210-0001	22626-6000	SP1002-02
TD 228-6	9970-241	040	¾"BSP	Flange		Direct Cooling	SK241	3298	1210-0001	22626-6000	SP1002-02
TD 226-6	22220-241	060	1"BSP	Flange			SK334	3298	22120-0001	22626-6000	SP1002-01

Cooling Pump Spares by
Make of Engine **Me-Mw**

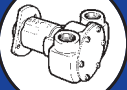
Flexible Impeller Pumps



Cooling Pump Spares by Make of Engine **Mw-No**

Flexible Impeller Pumps

Engine Details		Jabsco Pump Details					Service Kit Details				
Engine Model Number	Pump Number	Size	Port Size	Mount Type	Obso-lete	Alternative Pump Number	Kit Number	End Cover Gasket	Impeller	Water Seal	End Cover Screws
MWM - GERMANY CONTINUED...											
TD 228-6	22220-241	060	1"BSP	Flange			SK334	3298	22120-0001	22626-6000	SP1002-01
D202-283	22830-2051	010	3/8"BSP	Flange	x		SK23	1189	4528-0001	SP2701-14	SP1002-01
234B	29880-0001	370	2 3/4" Flanged	Flange		Respecified	SK410	X4020-424A	17240-0001	21849	X3001-180F
D889 / 90/ 91/ 92/ 93	22820-2051	040	3/8"BSP	Flange	x		SK23	1189	4528-0001	SP2701-14	SP1002-01
NANNI DIESEL - FRANCE/HOLLAND											
FK2 / 2.40 HE	29300-2001	010	3/8"BSP	Flange			SK404-0001	29308-0000	22405-0001	SP2701-1006	X3004-095G
FK3 / 2.60 HE / 3.90 HE	29470-2031	020	3/8"BSP	Flange			SK405-0001	29476-0000	18653-0001	SP2701-1006	X3004-095G
K.L.A	29300-2301	010	3/8"BSP	Flange	x		SK404-0001	29308-0000	22405-0001	SP2701-1006	X3004-095G
L30	52010-2001	010	3/8"NPTF	Foot			SK404-0101	29308-0000	22405-0001	SP2701-1006	X3001-095F
P 30 / R 30 / S 30	29470-2031	020	3/8"BSP	Flange			SK405-0001	29476-0000	18653-0001	SP2701-1006	X3004-095G
P 30 / R 30 / S 30	52020-2031	020	1/2"BSP	Foot			SK405-0101	2995-0030	18653-0001	SP2701-1006	X3001-095F
RC 210 D	11740-205	080	1"BSP	Foot	x	Bilge	SK300	11746	17937-0001	21849	SP1005-03
RC 320 D	Dual Pump	200	1 1/2" Flanged	Foot		Cooling	SK300	816	836-0001	21849	SP1005-03
2.40HE	29300-2001C	010	3/8"BSP	Flange			SK404-0001	29308-0000	22405-0001	SP2701-1006	X3004-095G
2.50HE	29460-1401	020	Ø 20 Hose	Flange			SK401-0001	2995-0030	18653-0001	SP2701-1006	SP1002-01
2.60	11260-2101	010	3/8"BSP	Flange	x	29300-2201C	SK266	1126	4528-0001	SP2701-04	SP1002-01
2.60HE	29470-2031C	020	3/8"BSP	Flange			SK405-0001	29476-0000	18653-0001	SP2701-1006	X3004-095G
3.75HE	29460-1401	020	Ø 20 Hose	Flange			SK401-0001	2995-0030	18653-0001	SP2701-1006	SP1002-01
3.90	11260-2101	010	3/8"BSP	Flange	x	29300-2201C	SK266	1126	4528-0001	SP2701-04	SP1002-01
3.90	29300-2201C	010	3/8"BSP	Flange			SK404-0001	29308-0000	22405-0001	SP2701-1006	X3004-095G
3.90	21130-2101	020	3/8"BSP	Flange	x	Bilge	SK304	21117	4528-0001	SP2701-04	SP1002-03
	Dual Pump	020	3/8"BSP	Flange		Cooling	SK304	21117	4528-0001	SP2701-04	SP1002-17
3.90HE	29470-2031								18653-0001		
4.110 HE	3270-261	040	3/4"BSP	Flange	x		SK33	3298	1210-0001	SP2701-21	SP1002-02
4.110HLE	3270-261	040	3/4"BSP	Flange			SK33	3298	1210-0001	SP2701-21	SP1002-02
4.18	3270-261	040	3/4"BSP	Flange					1210-0001		
4.180	3270-261	040	3/4"BSP	Flange	x		SK33	3298	1210-0001	SP2701-21	SP1002-02
4.190 HE	29500	040	Ø 28 Hose	Flange	x		SK384-0001	3298	1210-0001	SP2700-1027	SP1002-02
4.220 HE	23430-1001	080	Ø 32 Hose	Flange			SK385-0001	890	17937-0001	SP2700-1027	SP1003-0111
4.440	29600-1201	080	Ø 32 Hose	Flange			SK385-0101	890	17937-0001	SP6080-0469	SP1003-0111
5.280 HE	23430-1001	080	Ø 32 Hose	Flange			SK385-0001	890	17937-0001	SP2700-1027	SP1003-0111
6.280	23430-1001	080	Ø 32 Hose	Flange			SK385-0001	890	17937-0001	SP2700-1027	SP1003-0111
6.570 / T	6420-2041	080	1"BSP	Foot	x	52080-2041	SK385-0201	3101	17937-0001	SP2700-1027	SP1003-09
6.570 / T	52080-2041	080	1"BSP	Foot			SK406-0001	890	17937-0001	SP2700-1027	X3001-147F
6.660E / 6.660 LE	29600-1201	080	Ø 32 Hose	Flange			SK385-0101	890	17937-0001	SP6080-0469	SP1003-0111
MB 180 / 300	3270-200	040	3/4"BSP	Flange	x	29500-1001	SK271	3298	1210-0001	SP2701-21	SP1002-02
MB 180 / 300	29500-1001	040	Ø 28 Hose	Flange			SK384-0001	3298	1210-0001	SP2700-1027	SP1002-02
MB 220	3270-205	040	3/4"BSP	Flange	x		SK33	3298	1210-0001	SP2701-21	SP1002-02
OM 366	23340-1101	120	Ø 45 Hose	Flange		Respecified	SK310	890	17018-0001	22617-0000	SP1003-09
1300	52220-0041	200	1 1/2" Flanged	Foot			SK407-0011	816	17935-0001	SP6080-0374	X3001-176F
1600	52220-0011	200	1 1/2" Flanged	Foot			SK407-0011	816	17935-0001	SP6080-0374	X3001-176F
2100	52270-2041	270	2"BSP	Foot			SK408-0011	816	21676-0001	SP6080-0374	X3001-176F
2100 T	52270-2011	270	2"BSP	Foot			SK408-0011	816	17936-0001	SP6080-0374	X3001-176F
NORPRO - USA											
1120A	2620-1001		3/8" NPTF	Foot			90020-0001	18753-0125	18673-0001	92700-0050	18753-0121
1731	2620-1001		3/8" NPTF	Foot			90020-0001	18753-0125	18673-0001	92700-0050	18753-0121
600	2620-1001		3/8" NPTF	Foot			90020-0001	18753-0125	18673-0001	92700-0050	18753-0121
800	2620-1001		3/8" NPTF	Foot			90020-0001	18753-0125	18673-0001	92700-0050	18753-0121
1000	2620-1001		3/8" NPTF	Foot			90020-0001	18753-0125	18673-0001	92700-0050	18753-0121
1250	2620-1001		3/8" NPTF	Foot			90020-0001	18753-0125	18673-0001	92700-0050	18753-0121
1800	2620-1001		3/8" NPTF	Foot			90020-0001	18753-0125	18673-0001	92700-0050	18753-0121
6500T2	777-9001		1" NPTF	Foot			90118-0001	890-0000	920-0001	96080-0080	91003-0010



Engine Details		Jabsco Pump Details					Service Kit Details				
Engine Model Number	Pump Number	Size	Port Size	Mount Type	Obso-lete	Alternative Pump Number	Kit Number	End Cover Gasket	Impeller	Water Seal	End Cover Screws
NORTH EAST FORD - USA											
Ford											
2723	21140-2601	080	1"BSP	Flange			SK229	890	17937-0001	22626-6000	SP1003-09
ONAN - USA											
Ensign	52010-0051	010	3/8"NPT	Foot	x		SK404-0101	29308-0000	22405-0001	SP2701-1006	X3001-095F
9 kW	52010-0051	010	3/8"NPT	Foot	x		SK404-0101	29308-0000	22405-0001	SP2701-1006	X3001-095F
PERKINS - UK											
P3 144M / 152M	4850	080	Ø 32 Hose	Flange	x	9750		3101	920-08	SP2700-06	SP1003-09
P3 144M / 152M	9750	080	Ø 32 Hose	Flange	x		SK269	3101-01	17937-0001	22626-6000	SP1003-09
P3 144M / 152M	4860	080	Ø 32 Hose	Flange	x	9760		3101	920-08	SP2700-06	SP1003-09
P3 144M / 152M	9760	080	Ø 32 Hose	Flange	x		SK269	890-01	17937-0001	22626-6000	SP1003-09
P3M / P4M / P6M	4330-01	080	32 Hs./Fl.	Flange	x						
4.99M	3270-200	040	3/4"BSP	Flange	x	29500-1001	SK271	3298	1210-0001	SP2701-21	SP1002-02
4.99M	29500-1001	040	Ø 28 Hose	Flange			SK384-0001	3298	1210-0001	SP2700-1027	SP1002-02
4.99M(Exhaust Cooling)	9430	010	1/4"BSP	Flange	x	Exhaust Cooling	SK221	1126	4528-0001	SP2701-09	SP1002-01
L4M	4160	080	Ø 32 Hose	Flange	x						
S6M / 31.52 / 3.1524	6420-2001	080	1"BSP	Foot	x	52080-2001	SK385-0201	890	17937-0001	SP2700-1027	SP1003-09
S6M / 31.52 / 3.1524	52080-2001	080	1"BSP	Foot			SK406-0001	890	17937-0001	SP2700-1027	X3001-147F
3.152 / 3.1524	29500-1101	040	Ø 28 Hose	Flange			SK384-0001	3298	1210-0001	SP2700-1027	SP1002-02
4.107M / 4.108M / LL	3370-200	040	3/4"BSP	Flange	x	9970-200	SK33	3298	1210-0001	SP2701-21	SP1002-02
4.107M / 4.108M / LL	9970-200	040	3/4"BSP	Flange			SK229	3298	1210-0001	22626-6000	SP1002-02
4.108	3270-200	040	3/4"BSP	Flange	x	29500-1001	SK271	3298	1210-0001	SP2701-21	SP1002-02
4114 (Imp. from USA)	11850-0101	040	1" Hose	Flange	x	11850-0701	SK117-02	8641	1210-0001	SP6080-08B	SP1026-01
4114 (Imp. from USA)	11850-0701	040	1" Hose	Flange			SK117-02	8641	1210-0001	SP6080-08B	SP1026-01
4.236 / T4.236	10970	040	3/4"BSP	Flange			SK268-01	3298	1210-0001	22626-6000	SP1002-02
4.236 LL	10970-21	040	3/4"Flanged	Flange			SK268-01	3298	1210-0001	22626-6000	SP1002-02
4.270 M	4160	080	Ø 32 Hose	Flange	x						
6.305 M	6030-71	080	1"Flanged	Flange	x		SK236	890	17937-0001	SP2701-21	SP1003-09
T / H / HT 6.354 M	9990-21	040	3/4"NPT	Barrel	x	9990-41		3298	1210-0001	22626-6000	SP1002-02
T / H / HT 6.354 M	9990-41	040	3/4"NPT	Barrel			SK268	3298	1210-0001	22626-6000	SP1002-02
T / H / HT 6.354 LL	9700-151	080	1"Flanged	Flange			SK238-01	3101	17937-0001	SP6080-06	SP1003-01
6.3540 M	9700-151	080	1"Flanged	Flange			SK238-01	3101	17937-0001	SP6080-06	SP1003-01
6.3543 M	9700-141	080	1"Flanged	Flange	x	9700-04	SK238	890	17937-0001	SP6080-06	SP1003-01
6.3543 M	9700-04	080	1"Flanged	Flange			SK238-01	3101	17937-0001	SP6080-06	SP1003-01
6.354	9700-01	080	1"Flanged	Flange			SK238	890	17937-0001	SP6080-06	SP1003-01
V8.510	21180-05	200	1 1/4"Flanged	Flange	x		SK293-01	816	836-0001	21849	SP1005-04
TV8.5410 / 40	21180	200	1 1/4"Flanged	Flange	x		SK293-01	816	836-0001	21849	SP1005-04
M90 / 4HD 76 / 6HD	10970-21	040	3/4"Flanged	Flange			SK268-01	3298	1210-0001	22626-6000	SP1002-02
6HD 135 / 150	9700-01	080	1"Flanged	Flange			SK238	890	17937-0001	SP6080-06	SP1003-01
M200 / 240 / 275	9990-41	040	3/4"NPT	Barrel			SK268	3298	1210-0001	22626-6000	SP1002-02
1000-Series	29640-1101	080	Ø 32 Hose	Flange			SK385-0101	890	17937-0001	SP6080-0469	SP1003-0111
Perama											
M20	29350-1001	010	Ø 18 Hose	Flange			SK23-0101	1126	4528-0001	SP2701-14	SP1002-01
M25 / 30 / 3HD 20	29450-1101	020	Ø 20 Hose	Flange			SK387-0001	2995-0030	673-0001	SP2700-05	SP1002-01
M35 / 40	29450-1101	020	Ø 20 Hose	Flange			SK387-0001	2995-0030	673-0001	SP2700-05	SP1002-01
MC42	29450-1231	020	Ø 20 Hose	Flange			SK387-0001	2995-0030	673-0001	SP2700-05	SP1002-01
3HD 46	29450-1201	020	Ø 20 Hose	Flange			SK387-0001	2995-0030	673-0001	SP2700-05	SP1002-01
M50 / 60 / 80T	29450-1201	020	Ø 20 Hose	Flange			SK387-0001	2995-0030	673-0001	SP2700-05	SP1002-01
Prima	29500-1001	040	Ø 28 Hose	Flange			SK384-0001	3298	1210-0001	SP2700-1027	SP1002-02
Primer (MD22)	29540-1001	040	Ø 28 Hose	Foot			SK384-0101	3298	1210-0001	SP2700-1027	X3001-095F
POWER GENNY - USA											
Kubota 2 Cyl	52010-2001	010	3/8"NPTF	Foot			SK404-0101	29308-0000	22405-0001	SP2701-1006	X3001-095F

Cooling Pump Spares by
Make of Engine **No-Po**

Flexible Impeller Pumps -



Cooling Pump Spares by Make of Engine **Ro-Sc**

Flexible Impeller Pumps -

Engine Details		Jabsco Pump Details					Service Kit Details				
Engine Model Number	Pump Number	Size	Port Size	Mount Type	Obso-lete	Alternative Pump Number	Kit Number	End Cover Gasket	Impeller	Water Seal	End Cover Screws
ROLLS ROYCE - UK											
C6NFLM / C6SFLM	4360	200	1½"Flanged	Flange	x		SK230	816	836-0001	21849	SP1005-04
C8T Mk IV	4360	200	1½"Flanged	Flange	x		SK230	816	836-0001	21849	SP1005-04
C8T / C8S / C8N	10590-01	270	2"Flanged	Flange	x	11101-01-01	SK254	816	21676-0001	21849	SP1005-04
C6-Series / C12-Series	10590-01	270	2"Flanged	Flange	x	11101-01-01	SK254	816	21676-0001	21849	SP1005-04
CV-Series / 8 / 12HD	10590-01	270	2"Flanged	Flange	x	11101-01-01	SK254	816	21676-0001	21849	SP1005-04
CV-Series / 8 / 12HD	11100-01-01	270	2"BSP	Flange			SK254	816	21676-0001	21849	SP1005-04
RUGGERINI - ITALY											
RM 270	29470-2231	020	¾"BSP	Flange			SK405-0001	29476-0000	18653-0001	SP2701-1006	X3004-095G
RD / RM-Series	11260-2101	010	¾"BSP	Flange	x	29300-2201C	SK266	1126	4528-0001	SP2701-04	SP1002-01
MM / RDM -Series	11260-2101	010	¾"BSP	Flange	x	29300-2201C	SK266	1126	4528-0001	SP2701-04	SP1002-01
	29300-2201C	010	¾"BSP	Flange			SK404-0001	29308-0000	22405-0001	SP2701-1006	X3004-095G
SABB - NORWAY											
F 210 / F 444	21690	040	Ø 20 Hose	Flange	x		SK239	3298	1210-0001	22626-6000	SP1002-02
F 210 / F 444	21690-05	040	Ø 20 Hose	Flange	x		SK239	3298	1210-0001	22626-6000	SP1002-02
F 4.254 / 6.380	10950-201	040	½"BSP	Flange	x	10950-2401	SK239	3298	1210-0001	22626-6000	SP1002-02
F 4.254 / 6.380	10950-2401	040	¾"BSP	Flange			SK239	3298	1210-0001	22626-6000	SP1002-02
F 6.363T /TI	21140-201	080	1"BSP	Flange	x	21140-2401	SK229	890	17937-0001	22626-6000	SP1003-09
F 6.363T /TI	21140-2401	080	1"BSP	Flange			SK229	890	17937-0001	22626-6000	SP1003-09
M 4.210	3270-2101	040	¾"BSP	Flange	x		SK271	3298	1210-0001	SP2701-21	SP1002-02
M 4.295	3270-200	040	¾"BSP	Flange	x	29500-1001	SK271	3298	1210-0001	SP2701-21	SP1002-02
M 4.295	29500-1001	040	Ø 28 Hose	Flange			SK384-0001	3298	1210-0001	SP2700-1027	SP1002-02
SAAB SCANIA - SWEDEN											
D11 / DS11 / DSI11	10980-01	200	1½"Flanged	Flange	x	10980-0051	SK230	816	836-0001	21849	SP1005-04
D11 / DS11 / DSI11	10980-0051	200	1½"Flanged	Flange			SK230-0161	816	17935-0001	21849	SP1005-04
D5 / DS5	9700-21	080	1"Flanged	Flange	x	29600-1001	SK238	890	17937-0001	SP6080-06	SP1003-01
D5 / DS5	29600-1001	080	Ø 32 Hose	Flange		New Pipework	SK385-0101	890	17937-0001	SP6080-0469	SP1003-0111
D5 / DS5	7870-221	200	1¼"BSP	Foot	x		SK230	816	836-0001	SP6080-0374	SP1005-04
SABRE ENGINES - UK											
Ford Dorset											
80 / 120 / 140	10950-200	040	¾"BSP	Flange	x	10950-2401	SK239	3298	1210-0001	22626-6000	SP1002-02
80 / 120 / 140	10950-2401	040	¾"BSP	Flange			SK239	3298	1210-0001	22626-6000	SP1002-02
180 / 210 / 212 / 212C	21140-200	080	1"BSP	Flange	x	21140-2401	SK229	890	17937-0001	22626-6000	SP1003-09
180 / 210 / 212 / 212C	21140-2401	080	1"BSP	Flange			SK229	890	17937-0001	22626-6000	SP1003-09
Ford Dover	21140-2201	080	1"BSP	Flange	x	21140-2601	SK229	890	17937-0001	22626-6000	SP1003-09
Ford Dover	21140-2601	080	1"BSP	Flange			SK229	890	17937-0001	22626-6000	SP1003-09
250 / 275 / 365	21580-200	080	1"BSP	Flange	x		SK229	890	17937-0001	22626-6000	SP1003-09
Marathon	21890	120	1½"BSP	Flange	x	10880-2611	SK310	890	17018-0001	22617-0000	SP1003-09
Marathon	10880-2611	200	1½"Flanged	Flange			SK375-0101	816	17935-0001	21849	SP1005-04
M225Ti / 370Ti	29640-1101	080	Ø 32 Hose	Flange			SK385-0101	890	17937-0001	SP6080-0469	SP1003-0111
370L / 420L	29700-1201	120	Ø 45 Hose	Flange			SK386-0001	890	17018-0001	SP6080-0469	SP1003-0111
320 / 400 / 420 / 450	10630-07	200	1½"Flanged	Foot	x	52220-0011	SK230	816	836-0001	21849	SP1005-04
320 / 400 / 420 / 450	52220-0011	200	1½"Flanged	Foot			SK407-0011	816	17935-0001	SP6080-0374	X3001-176F
500	10490-07	270	2"Flanged	Foot	x	52270-0011	SK254	816	21676-0001	21849	SP1005-04
500	52270-0011	270	2"Flanged	Foot			SK408-0011	816	17936-0001	SP6080-0374	SP1095-0640
M215C	29640-1101	080	Ø 32 Hose	Flange			SK385-0101	890	17937-0001	SP6080-0469	SP1003-0111
M185C	29640-1101	080	Ø 32 Hose	Flange			SK385-0101	890	17937-0001	SP6080-0469	SP1003-0111
M130C	29640-1101	080	Ø 32 Hose	Flange			SK385-0101	890	17937-0001	SP6080-0469	SP1003-0111
SCHWARTING - GERMANY											
Mercedes											



Engine Details		Jabsco Pump Details					Service Kit Details				
Engine Model Number	Pump Number	Size	Port Size	Mount Type	Obsolete	Alternative Pump Number	Kit Number	End Cover Gasket	Impeller	Water Seal	End Cover Screws
SCHWARTING - GERMANY CONTINUED...											
S 314 / 352 / 352A	52080-2001	080	1"BSP	Foot			SK406-0001	890	17937-0001	SP2700-1027	X3001-147F
S 421 / 422 / 423	52200-2041	200	1¼"BSP	Foot			SK407-0011	816	17935-0001	SP6080-0374	X3001-176F
S 424	52200-2001	200	1½"BSP	Foot	x	52200-2011	SK407-0011	816	17935-0001	SP6080-0374	X3001-176F
S 424	52200-2011	200	1½"BSP	Foot			SK407-0011	816	17935-0001	SP6080-0374	X3001-176F
S 424A	52270-2041	270	2"BSP	Foot			SK408-0011	816	21676-0001	SP6080-0374	X3001-176F
S 615 / 616 / 636	3270-261	040	¾"BSP	Flange	x		SK33	3298	1210-0001	SP2701-21	SP1002-02
S 617 / 617A	23430-1001	080	Ø 32 Hose	Flange			SK385-0001	890	17937-0001	SP2700-1027	SP1003-0111
SEATEK - ITALY											
6.4V.9	10770-57	200	1½"Flanged	Flange			SK230	816	836-0001	21849	SP1005-04
10.3 Offshore	29880-0101	370	2¾"Flanged	Flange			SK410	X4020-424A	17240-0001	21849	X3001-180F
SISU - (SEE VALMET OY - FINLAND)											
SOLE DIESEL - SPAIN											
MB 636	29500-1001	040	Ø 28 Hose	Flange	x		SK384-0001	3298	1210-0001	SP2700-1027	SP1002-02
MB 616-4	23430-1001	080	Ø 32 Hose	Flange			SK385-0001	890	17937-0001	SP2700-1027	SP1003-0111
MB 616-6	23430-1001	080	Ø 32 Hose	Flange			SK385-0001	890	17937-0001	SP2700-1027	SP1003-0111
SF15	21140-204	080	1"BSP	Flange	x	21140-2401	SK229	890	17937-0001	22626-6000	SP1003-09
SF15	21140-2401	080	1"BSP	Flange			SK229	890	17937-0001	22626-6000	SP1003-09
SF18	21140-200	080	1"BSP	Flange	x	21140-2401	SK229	890	17937-0001	22626-6000	SP1003-09
SF18	21140-2401	080	1"BSP	Flange			SK229	890	17937-0001	22626-6000	SP1003-09
SM 615	6490-210	040	½"BSP	Foot			SK225-01	6496	1210-0001	SP2701-21	SP1003-09
SM 636	3270-200	040	¾"BSP	Flange	x	29500-1001	SK271	3298	1210-0001	SP2701-21	SP1002-02
SM 636	29500-1001	040	Ø 28 Hose	Flange			SK384-0001	3298	1210-0001	SP2700-1027	SP1002-02
6.354.3	9710-210	080	1"BSP	Foot	x		SK229	890	17937-0001	22626-6000	SP1003-09
4.108	3270-200	040	¾"BSP	Flange	x	29500-1001	SK271	3298	1210-0001	SP2701-21	SP1002-02
4.108	29500-1001	040	Ø 28 Hose	Flange			SK384-0001	3298	1210-0001	SP2700-1027	SP1002-02
TATKO - TURKEY											
	23050-1031	020	¾"BSP	Flange			SK211	10817	673-0001	SP2701-04	SP1002-09
TEMPEST DIESELS - UK											
Captain 31	4760-01	020	¾"BSP	Flange	x		SK228	2995-0030	673-0001	SP2701-04	SP1002-01
Captain 31	4900-01	040	½"BSP	Foot	x		SK234	4908	4568-0001	3791	SP1003-09
Captain 1.5 / 1.8	52040-2001	040	¾"BSP	Foot			SK384-0101	3298	1210-0001	SP2700-1027	X3001-095F
Commander 2.2D (DC)	4760-01	020	¾"BSP	Flange	x		SK228	2995-0030	673-0001	SP2701-04	SP1002-01
Commander 2.5 (HX)	3270-200	040	¾"BSP	Flange	x	29500-1001	SK271	3298	1210-0001	SP2701-21	SP1002-02
Commander 2.5 (HX)	29500-1001	040	Ø 28 Hose	Flange			SK384-0001	3298	1210-0001	SP2700-1027	SP1002-02
Commander 50 HP	4760-21	020	¾"BSP	Flange	x		SK228	2995-0030	673-0001	SP2701-04	SP1002-01
Commander 50 HP	4760-111	020	¾"BSP	Flange	x		SK228	2995-0030	673-0001	SP2701-04	SP1002-01
Commander 50 HP HX	3270-241	040	¾"BSP	Flange	x		SK271	3298	1210-0001	SP2701-21	SP1002-02
Commander 50 HP HX	3270-200	040	¾"BSP	Flange	x	29500-1001	SK271	3298	1210-0001	SP2701-21	SP1002-02
Commander 50 HP HX	29500-1001	040	Ø 28 Hose	Flange			SK384-0001	3298	1210-0001	SP2700-1027	SP1002-02
Commodore 34 / 38	4760-01	020	¾"BSP	Flange	x		SK228	2995-0030	673-0001	SP2701-04	SP1002-01
Commodore	3270-261	040	¾"BSP	Flange	x		SK33	3298	1210-0001	SP2701-21	SP1002-02
Navigator 38	4760	020	¾"BSP	Flange	x		SK228	2995-0030	673-0001	SP2701-04	SP1002-01
Sea Lord 51	4760-01	020	¾"BSP	Flange	x		SK228	2995-0030	673-0001	SP2701-04	SP1002-01
Sea Lord 51	3270-251	040	¾"BSP	Flange	x		SK33	3298	1210-0001	SP2701-21	SP1002-02
Sea Lord 5.66	9700	080	1"Flanged	Flange	x		SK238	890	17937-0001	22645-0000	SP1003-01
Sea Prince 3000S	3270-200	040	¾"BSP	Flange	x	29500-1001	SK271	3298	1210-0001	SP2701-21	SP1002-02
Sea Prince 3000S	29500-1001	040	Ø 28 Hose	Flange			SK384-0001	3298	1210-0001	SP2700-1027	SP1002-02
Vedette Mk II-VI	4760	020	¾"BSP	Flange	x		SK228	2995-0030	673-0001	SP2701-04	SP1002-01
Vedette Mk VII	11430-01	010	¼"BSP	Flange	x		SK272	11438	4528-0001	SP2700-11	SP1002-04

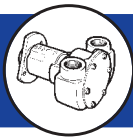
 Cooling Pump Spares by
 Make of Engine **Sc-Te**
Flexible Impeller Pumps -



Cooling Pump Spares by
Make of Engine **Te-Vm**

Flexible Impeller Pumps -

Engine Details		Jabsco Pump Details					Service Kit Details				
Engine Model Number	Pump Number	Size	Port Size	Mount Type	Obso-lete	Alternative Pump Number	Kit Number	End Cover Gasket	Impeller	Water Seal	End Cover Screws
TEMPEST DIESELS - UK CONTINUED...											
Yeoman 36	4760-151	020	¾"BSP	Flange	x		SK228	2995-0030	673-0001	SP2701-04	SP1002-01
4.58 / 80	21140-200	080	1"BSP	Flange	x	21140-2401	SK229	890	17937-0001	22626-6000	SP1003-09
6.97 / 120	21140-200	080	1"BSP	Flange	x	21140-2401	SK229	890	17937-0001	22626-6000	SP1003-09
6.150 / 180	21140-200	080	1"BSP	Flange	x	21140-2401	SK229	890	17937-0001	22626-6000	SP1003-09
6.150 / 180	21140-2401	080	1"BSP	Flange			SK229	890	17937-0001	22626-6000	SP1003-09
1622 S	6540-200	020	¾"BSP	Foot			SK205	2995-0030	673-0001	B22	SP1002-01
UNIVERSAL - USA											
Ford 1.4	52010-0051	010	¾"NPT	Foot	x		SK404-0101	29308-0000	22405-0001	SP2701-1006	X3001-095F
VALMET OY - FINLAND											
310 DM / 411 DM	3370-200	040	¾"BSP	Flange	x	9970-200	SK33	3298	1210-0001	SP2701-21	SP1002-02
310 DM / 411 DM	9970-200	040	¾"BSP	Flange			SK229	3298	1210-0001	22626-6000	SP1002-02
411 / 611 CM / CSM	9700-21	080	1"Flanged	Flange	x	29600-1001	SK238	890	17937-0001	SP6080-06	SP1003-01
411 / 611 CM / CSM	29600-1001	080	Ø 32 Hose	Flange		New Pipework	SK385-0101	890	17937-0001	SP6080-0469	SP1003-0111
615 / 815 DM	10770-57	200	1½"Flanged	Flange			SK230	816	836-0001	21849	SP1005-04
4035 PM	4760-41	020	¾"BSP	Flange	x		SK228	2995-0030	673-0001	SP2701-04	SP1002-01
6 Cyl	29770-0001	200	1½"Flanged	Flange				816	17935-0001	21849	SP1095-0640
612DS	29770-0001	200	1½"Flanged	Flange				816	17935-0001	21849	SP1095-0640
VETUS - NETHERLANDS											
C 4 / 6	23430-1401	080	Ø 32 Hose	Flange			SK385-0001	890	17937-0001	SP2700-1027	SP1003-0111
K 3 / 3D / 4	29470-2131C	020	¾"BSP	Flange			SK405-0001	29476-0000	18653-0001	SP2701-1006	X3004-095G
L 2 / 3	29460-1251	020	Ø 20 Hose	Flange			SK401-0001	2995-0030	18653-0001	SP2701-1006	SP1002-01
M 2.05	29460-1201	020	Ø 20 Hose	Flange			SK401-0001	2995-0030	18653-0001	SP2701-1006	SP1002-01
M 3.10	29480-2031C	020	¾"BSP	Flange			SK405-0001	29476-0000	18653-0001	SP2701-1006	X3004-095G
M 4.14	3270-2301	040	¾"BSP	Flange	x		SK33	3298	1210-0001	SP2701-21	SP1002-02
P 4.25	23430-1441	080	Ø 32 Hose	Flange			SK385-0001	890	17937-0001	SP2700-1027	SP1003-0111
STM 6514	29530-2001	040	¾"BSPF	Crank				3298	1210-0001	SP2700-1027	X3001-095F
36-22-11	3270-2301	040	¾"BSP	Flange	x		SK33	3298	1210-0001	SP2701-21	SP1002-02
42-26-Series	3270-2301	040	¾"BSP	Flange	x		SK33	3298	1210-0001	SP2701-21	SP1002-02
52-34-Series	3270-2301	040	¾"BSP	Flange	x		SK33	3298	1210-0001	SP2701-21	SP1002-02
DT43	29680-1051	080	Ø 32 Hose	Flange				890	17937-0001	SP6080-0469	X3001-147F
DTA43	29680-1051	080	Ø 32 Hose	Flange				890	17937-0001	SP6080-0469	X3001-147F
DT64	29680-1041	080	Ø 32 Hose	Flange				890	17937-0001	SP6080-0469	X3001-147F
DTA64	29680-1041	080	Ø 32 Hose	Flange				890	17937-0001	SP6080-0469	X3001-147F
DT67	29680-1041	080	Ø 32 Hose	Flange				890	17937-0001	SP6080-0469	X3001-147F
DTA67	29680-1041	080	Ø 32 Hose	Flange				890	17937-0001	SP6080-0469	X3001-147F
VM-MOTORI - ITALY											
102 MH-Series	11000-01	020	Ø 16 Hose	Flange	x		SK211	10817	673-0001	SP2701-04	SP1002-09
103 / 4 / 6 MH-Series	3270-200	040	¾"BSP	Flange	x	29500-1001	SK271	3298	1210-0001	SP2701-21	SP1002-02
103 / 4 / 6 MH-Series	29500-1001	040	Ø 28 Hose	Flange			SK384-0001	3298	1210-0001	SP2700-1027	SP1002-02
106 M11	11000-01	020	Ø 16 Hose	Flange	x		SK211	10817	673-0001	SP2701-04	SP1002-09
114 / 6 MH	9700-21	080	1"Flanged	Flange	x	29600-1001	SK238	890	17937-0001	SP6080-06	SP1003-01
114 / 6 MH	29600-1001	080	Ø 32 Hose	Flange		New Pipework	SK385-0101	890	17937-0001	SP6080-0469	SP1003-0111
116 DAN M	3270-200	040	¾"BSP	Flange	x	29500-1001	SK271	3298	1210-0001	SP2701-21	SP1002-02
116 DAN M	29500-1001	040	Ø 28 Hose	Flange			SK384-0001	3298	1210-0001	SP2700-1027	SP1002-02
HR-Series	23430-1001	080	Ø 32 Hose	Flange			SK385-0001	890	17937-0001	SP2700-1027	SP1003-0111
HR 694 HID10	29700-1301	120	Ø 45 Hose	Flange			SK386-0001	890	17018-0001	SP6080-0469	SP1003-0111
804 / 806 M	3270-200	040	¾"BSP	Flange	x	29500-1001	SK271	3298	1210-0001	SP2701-21	SP1002-02
804 / 806 M	29500-1001	040	Ø 28 Hose	Flange			SK384-0001	3298	1210-0001	SP2700-1027	SP1002-02
956 M11	11000-01	020	Ø 16 Hose	Flange	x		SK211	10817	673-0001	SP2701-04	SP1002-09
130 MH 14-Series	10880-0101	200	1½"Flanged	Flange	x		SK230	816	836-0001	21849	SP1005-04



Engine Details		Jabsco Pump Details					Service Kit Details				
Engine Model Number	Pump Number	Size	Port Size	Mount Type	Obso-lete	Alternative Pump Number	Kit Number	End Cover Gasket	Impeller	Water Seal	End Cover Screws
VM-MOTORI - ITALY CONTINUED...											
131 MH 14-Series	11100-0101	270	2"Flanged	Flange	x		SK254	816	21676-0001	21849	SP1005-04
VOLVO PENTA - SWEDEN											
AQ 95	9900	020	Ø 16 Hose	Foot	x	29470-2231C	SK211	10817	673-0001	SP2701-04	SP1002-09
AQ 95	29470-2231C	020	¾"BSP	Flange			SK405-0001	29476-0000	18653-0001	SP2701-1006	X3004-095G
AQ 110 / 115 / BB 115	9900	020	Ø 16 Hose	Foot	x	29470-2231C	SK211	10817	673-0001	SP2701-04	SP1002-09
AQ 110 / 115 / BB 115	29470-2231C	020	¾"BSP	Flange			SK405-0001	29476-0000	18653-0001	SP2701-1006	X3004-095G
AQ 115A / B	29470-1231	020	Ø 16 Hose	Flange			SK405-0001	29476-0000	18653-0001	SP2701-1006	X3004-095G
AQ 130 C / D	9900	020	Ø 16 Hose	Foot	x	29470-2231C	SK211	10817	673-0001	SP2701-04	SP1002-09
AQ 130 C / D	29470-2231C	020	¾"BSP	Flange			SK405-0001	29476-0000	18653-0001	SP2701-1006	X3004-095G
AQ 130 C / D	29470-1231	020	Ø 16 Hose	Flange			SK405-0001	29476-0000	18653-0001	SP2701-1006	X3004-095G
AQ 140	9900	020	Ø 16 Hose	Foot	x	29470-2231C	SK211	10817	673-0001	SP2701-04	SP1002-09
AQ 140	29470-2231C	020	¾"BSP	Flange			SK405-0001	29476-0000	18653-0001	SP2701-1006	X3004-095G
AQ 140	29470-1231	020	Ø 16 Hose	Flange			SK405-0001	29476-0000	18653-0001	SP2701-1006	X3004-095G
AQ 140 A	10-32621-1					Johnson Pump			4568-0001		
AQ 145 A / B	10-32621-1					Johnson Pump			4568-0001		
AQ 150	14620	080	1" Hose	Flange	x		SK153	890	4598-0001	SP6080-08B	SP1014-03
AQ 151 A / B / C	10-32621-1					Johnson Pump			4568-0001		
AQ 175 A	22740-0251	060	Ø 32 Hose	Crank	x	22740-0151	SK331-0251	3298	22120-0001	SP2701-21	SP8019-01
AQ 175 A	22740-0151	060	Ø 32 Hose	Crank			SK331-05	3298	22120-0001	SP2701-21	SP8019-01
AQ 180	10550-200	040	¾"NPT	Foot	x		SK239	3298	1210-0001	22626-6000	SP1002-02
AQ 200	22300-05	060	Ø 32 Hose	Crank	x		SK331-05	3298	22120-0001	SP6080-08B	SP8019-01
AQ 200 D	22740-0251	060	Ø 32 Hose	Crank	x	22740-0151	SK331-0251	3298	22120-0001	SP2701-21	SP8019-01
AQ 200 D	22740-0151	060	Ø 32 Hose	Crank			SK331-05	3298	22120-0001	SP2701-21	SP8019-01
AQ 200 D-280 /225	22300-05	060	Ø 32 Hose	Crank	x		SK331-05	3298	22120-0001	SP6080-08B	SP8019-01
AQ 225 D	22740-0251	060	Ø 32 Hose	Crank	x	22740-0151	SK331-0251	3298	22120-0001	SP2701-21	SP8019-01
AQ 225 D	22740-0151	060	Ø 32 Hose	Crank			SK331-05	3298	22120-0001	SP2701-21	SP8019-01
AQ 225 B /D-280	22300-05	060	Ø 32 Hose	Crank	x		SK331-05	3298	22120-0001	SP6080-08B	SP8019-01
AQ 250	22300-05	060	Ø 32 Hose	Crank	x		SK331-05	3298	22120-0001	SP6080-08B	SP8019-01
AQ 260 A	22740-0251	060	Ø 32 Hose	Crank	x	22740-0151	SK331-0251	3298	22120-0001	SP2701-21	SP8019-01
AQ 260 B	22740-0151	060	Ø 32 Hose	Crank			SK331-05	3298	22120-0001	SP2701-21	SP8019-01
AQ 270	22300-05	060	Ø 32 Hose	Crank	x		SK331-05	3298	22120-0001	SP6080-08B	SP8019-01
AQ 290 A	22740-0251	060	Ø 32 Hose	Crank	x	22740-0151	SK331-0251	3298	22120-0001	SP2701-21	SP8019-01
AQ 290 A	22740-0151	060	Ø 32 Hose	Crank			SK331-05	3298	22120-0001	SP2701-21	SP8019-01
AQ 740 Big Block	22740-0201	060	Ø 32 Hose	Crank			SK331-0251	3298	22120-0001	SP2701-21	SP8019-01
AQD 21A	10-32058-1	040				Johnson Pump			4568-0001		
AQD 21B	10-32058-1	040				Johnson Pump			4568-0001		
AQD 40A	10800-21	080	1"NPSF	Flange	x		SK229	890	17937-0001	22617-0010	SP1003-09
	10-24277-1	080	1"NPSF	Flange		Johnson Pump			17937-0001		
BB 30	9900	020	Ø 16 Hose	Foot	x	29470-2231C	SK211	10817	673-0001	SP2701-04	SP1002-09
BB 30	29470-2231C	020	¾"BSP	Flange			SK405-0001	29476-0000	18653-0001	SP2701-1006	X3004-095G
BB 70	6490-246	040	½"BSP	Foot	x	6490-224	SK225-01 Use 23299 Kit To Upgrade to 6490-224				
BB 100	6490-246	040	½"BSP	Foot	x	6490-224	SK225-01 Use 23299 Kit To Upgrade to 6490-224				
MB 10A	11260-2101	010	¾"BSP	Flange	x	29300-2201C	SK266	1126	4528-0001	SP2701-04	SP1002-01
MB 10A / 11	29300-2201C	010	¾"BSP	Flange			SK404-0001	29308-0000	22405-0001	SP2701-1006	X3004-095G
MB 16A	9400	020	Ø 16 Hose	Flange	x		SK211	10817	673-0001	SP2701-04	SP1002-09
MB 36A	6490-241	040	½"BSP	Foot	x	6490-222	SK225-01 Use 23299 Kit To Upgrade to 6490-222				
MB 36B	10550-01	040	¾"NPT	Foot	x		SK239	3298	1210-0001	22626-6000	SP1002-02
MBN 40	21770	040	Ø 32 Hose	Flange	x		SK309	4908	4568-0001	SP2701-01	SP1003-09
MD 1 / 1A / 1B	11260-2101	010	¾"BSP	Flange	x	29300-2201C	SK266	1126	4528-0001	SP2701-04	SP1002-01
MD 1 KHD / HY / 2	11260-2101	010	¾"BSP	Flange	x	29300-2201C	SK266	1126	4528-0001	SP2701-04	SP1002-01
MD 1 KHD / HY / 2	29300-2201C	010	¾"BSP	Flange			SK404-0001	29308-0000	22405-0001	SP2701-1006	X3004-095G
MD2 / 2B	29300-2201C	010	¾"BSP	Flange			SK404-0001	29308-0000	22405-0001	SP2701-1006	X3004-095G
MD 2 BHY	11260-2101	010	¾"BSP	Flange	x	29300-2201C	SK266	1126	4528-0001	SP2701-04	SP1002-01

 Cooling Pump Spares by
 Make of Engine **Vm-Vo**

Flexible Impeller Pumps -



Cooling Pump Spares by
Make of Engine **Vo-Wa**

Flexible Impeller Pumps -

Engine Details		Jabsco Pump Details					Service Kit Details				
Engine Model Number	Pump Number	Size	Port Size	Mount Type	Obso-lete	Alternative Pump Number	Kit Number	End Cover Gasket	Impeller	Water Seal	End Cover Screws
VOLVO PENTA - SWEDEN CONTINUED...											
MD 2 BHY	29300-2201C	010	3/8"BSP	Flange			SK404-0001	29308-0000	22405-0001	SP2701-1006	X3004-095G
MD 3	9900	020	Ø 16 Hose	Foot	x	29470-2231C	SK211	10817	673-0001	SP2701-04	SP1002-09
MD 3	29470-2231C	020	3/8"BSP	Flange			SK405-0001	29476-0000	18653-0001	SP2701-1006	X3004-095G
MD 3	29470-1231C	020	Ø 16 Hose	Flange			SK405-0001	29476-0000	18653-0001	SP2701-1006	X3004-095G
MD 5A / B / C	29300-2201C	010	3/8"BSP	Flange			SK404-0001	29308-0000	22405-0001	SP2701-1006	X3004-095G
MD 6A / B	11260-2101	010	3/8"BSP	Flange	x	29300-2201C	SK266	1126	4528-0001	SP2701-04	SP1002-01
MD 7A / B	11260-2101	010	3/8"BSP	Flange	x	29300-2201C	SK266	1126	4528-0001	SP2701-04	SP1002-01
MD 10A / 11	29300-2001C	010	3/8"BSP	Flange			SK404-0001	29308-0000	22405-0001	SP2701-1006	X3004-095G
MD11 C	29300-2001C	010	3/8"BSP	Flange			SK404-0001	29308-0000	22405-0001	SP2701-1006	X3004-095G
MD11 D	29300-2001C	010	3/8"BSP	Flange			SK404-0001	29308-0000	22405-0001	SP2701-1006	X3004-095G
MD 21A	10-32058-1	040		Flange		Johnson Pump			4568-0001		
MD 21B	10-32058-1	040		Flange		Johnson Pump			4568-0001		
MD 22	29500-1001	040					SK384-0001	3298	1210-0001	SP2700-1027	SP1002-02
MD22/SX	29540-1001	040	Ø 28 Hose	Foot			SK384-0101	3298	1210-0001	SP2700-1027	X3001-095F
MD 32A	10800-21	080	1"NPSF	Flange	x		SK229	890	17937-0001	22617-0010	SP1003-09
MD40A	10-24277-1	080	1"NPSF	Flange		Johnson Pump			17937-0001		
MD 47A / C	9710-200	080	1"BSP	Foot			SK229	890	17937-0001	22626-6000	SP1003-09
MD 47B	9770-205	080	3/4"BSP	Barrel	x		SK229	890	17937-0001	22626-6000	SP1003-09
MD 50A	11120-204	080	1"BSP	Flange			SK229	890	17937-0001	22626-6000	SP1003-09
MD 67C	9770-205	080	3/4"BSP	Barrel	x		SK229	890	17937-0001	22626-6000	SP1003-09
MD 70A	11120-204	080	1"BSP	Flange			SK229	890	17937-0001	22626-6000	SP1003-09
MD 70	11120-205	080	1"BSP	Flange	x		SK229	890	17937-0001	22626-6000	SP1003-09
MD 7101	10770-0051	200	1 1/2" Flanged	Flange			SK369-0001	816	836-0001	21849	SP1095-0640
MD 71	10770-0351	200	1 1/2" Flanged	Flange			SK230	816	836-0001	21849	SP1005-04
MD 96B	9710-200	080	1"BSP	Foot			SK229	890	17937-0001	22626-6000	SP1003-09
MD 2010	29350-1101	010	Ø 20 Hose	Flange			SK23-0101	1126	4528-0001	SP2701-14	SP1002-01
MD 2020	29350-1101	010	Ø 20 Hose	Flange			SK23-0101	1126	4528-0001	SP2701-14	SP1002-01
MD 2030	29450-1301	020	Ø 20 Hose	Flange			SK387-0001	2995-0030	673-0001	SP2700-05	SP1002-01
MD 2040	29450-1401	020	Ø 20 Hose	Flange			SK387-0001	2995-0030	673-0001	SP2700-05	SP1002-01
TAMD 22/SX	29540-1001	040	Ø 28 Hose	Foot			SK384-0101	3298	1210-0001	SP2700-1027	X3001-095F
TAMD 60	11120-205	080	1"BSP	Flange	x		SK229	890	17937-0001	22626-6000	SP1003-09
TAMD 61	10770-0051	200	1 1/2" Flanged	Flange			SK369-0001	816	836-0001	21849	SP1095-0640
TAMD 61	10770-0351	200	1 1/2" Flanged	Flange			SK230	816	836-0001	21849	SP1005-04
TAMD 70	11120-205	080	1"BSP	Flange	x		SK229	890	17937-0001	22626-6000	SP1003-09
TAMD 71	10770-0051	200	1 1/2" Flanged	Flange			SK369-0001	816	836-0001	21849	SP1095-0640
TAMD 71	10770-0351	200	1 1/2" Flanged	Flange			SK230	816	836-0001	21849	SP1005-04
TAMD 96B	9710-200	080	1"BSP	Foot			SK229	890	17937-0001	22626-6000	SP1003-09
TAMD 102	10590-0031	270	2" Flanged	Flange			SK254	816	21676-0001	21849	SP1005-04
TMD22/SX	29540-1001	040	Ø 28 Hose	Foot			SK384-0101	3298	1210-0001	SP2700-1027	X3001-095F
TMD40A	10-24277-1	080	1"BSP	Flange		Johnson Pump			17937-0001		
TMD40B	10-24277-1	080	1"BSP	Flange		Johnson Pump			17937-0001		
TMD 50A	11120-204	080	1"BSP	Flange			SK229	890	17937-0001	22626-6000	SP1003-09
TMD 70	11120-205	080	1"BSP	Flange	x		SK229	890	17937-0001	22626-6000	SP1003-09
TMD 71	10770-0051	200	1 1/2" Flanged	Flange			SK369-0001	816	836-0001	21849	SP1095-0640
TMD 71	10770-0351	200	1 1/2" Flanged	Flange			SK230	816	836-0001	21849	SP1005-04
TMD 96B	9710-200	080	1"BSP	Foot			SK229	890	17937-0001	22626-6000	SP1003-09
TMD 100A / C	10590-0041	270	2" Flanged	Flange			SK254	816	21676-0001	21849	SP1005-04
TMD 120 B	10590-0041	270	2" Flanged	Flange			SK254	816	21676-0001	21849	SP1005-04
TMD 121 C	10590-0041	270	2" Flanged	Flange			SK254	816	21676-0001	21849	SP1005-04
1113 BR	9710-200	080	1"BSP	Foot			SK229	890	17937-0001	22626-6000	SP1003-09
WATERMOTA - UK											
Sea-Series											
Beaver / Cub	52010-2051	010	3/8"BSP	Foot	x		SK404-0101101	29308-0000	22405-0001	SP2701-1006	X3001-095F



Engine Details		Jabsco Pump Details					Service Kit Details				
Engine Model Number	Pump Number	Size	Port Size	Mount Type	Obsolete	Alternative Pump Number	Kit Number	End Cover Gasket	Impeller	Water Seal	End Cover Screws
WATERMOTA - UK CONTINUED...											
Horse	21690	040	Ø 20 Hose	Flange	x		SK239	3298	1210-0001	22626-6000	SP1002-02
Horse	21690-05	040	Ø 20 Hose	Flange	x		SK239	3298	1210-0001	22626-6000	SP1002-02
Lion	10950-200	040	¾" BSP	Flange	x	10950-2401	SK239	3298	1210-0001	22626-6000	SP1002-02
Lion	10950-2401	040	¾" BSP	Flange			SK239	3298	1210-0001	22626-6000	SP1002-02
Lion	21140-201	080	1" BSP	Flange	x	21140-2401	SK229	890	17937-0001	22626-6000	SP1003-09
Lion	21140-2401	080	1" BSP	Flange			SK229	890	17937-0001	22626-6000	SP1003-09
Leopard	9900	020	Ø 16 Hose	Foot	x	29470-2231C	SK211	10817	673-0001	SP2701-04	SP1002-09
Leopard	29470-2231C	020	¾" BSP	Flange			SK405-0001	29476-0000	18653-0001	SP2701-1006	X3004-095G
Otter	9430-211	010	¼" BSP	Flange	x	29300-2601C	SK221	1126	4528-0001	SP2701-09	SP1002-01
Otter	29300-2601C	010	¾" BSP	Flange			SK404-0001	29308-0000	22405-0001	SP2701-1006	X3004-095G
Panther Mk 3 / 4	9900	020	Ø 16 Hose	Foot	x	29470-2231C	SK211	10817	673-0001	SP2701-04	SP1002-09
Panther Mk 3 / 4	29470-2231C	020	¾" BSP	Flange			SK405-0001	29476-0000	18653-0001	SP2701-1006	X3004-095G
Ranger	23430-1201	080	Ø 32 Hose	Flange			SK385-0001	890	17937-0001	SP2700-1027	SP1003-0111
Scout	10950-200	040	¾" BSP	Flange	x	10950-2401	SK239	3298	1210-0001	22626-6000	SP1002-02
Scout	10950-2401	040	¾" BSP	Flange			SK239	3298	1210-0001	22626-6000	SP1002-02
Scout	21140-201	080	1" BSP	Flange	x	21140-2401	SK229	890	17937-0001	22626-6000	SP1003-09
Scout	21140-2401	080	1" BSP	Flange			SK229	890	17937-0001	22626-6000	SP1003-09
Tiger / Wolf	9430-211	010	¼" BSP	Flange	x	29300-2601C	SK221	1126	4528-0001	SP2701-09	SP1002-01
Tiger / Wolf	29300-2601C	010	¾" BSP	Flange			SK404-0001	29308-0000	22405-0001	SP2701-1006	X3004-095G
Tiger / Wolf	9900	020	Ø 16 Hose	Foot	x	29470-2231C	SK211	10817	673-0001	SP2701-04	SP1002-09
Tiger / Wolf	29470-2231C	020	¾" BSP	Flange			SK405-0001	29476-0000	18653-0001	SP2701-1006	X3004-095G
Tiger / Wolf	29410-1101	020	Ø 20 Hose	Flange			SK404-0001	29308-0000	18653-0001	SP2701-1006	X3004-095G
Series 11-30 / 50	22770	020	Ø 25 Hose	Crank	x	29440-1001	SK346	1985-01	673-0001	SP2701-21	SP1004-09
Series 11-30 / 50	29440-1001	020	Ø 25 Hose	Crank			SK402-0001	1985-0000	18653-0001	29441-0000	SP1004-09
Inlander	2620-253	020	¾" BSP	Foot			SK20	2995-0030	673-0001	SP2700-05	SP1002-02
Type 5-16	9430-211	010	¼" BSP	Flange	x	29300-2601C	SK221	1126	4528-0001	SP2701-09	SP1002-01
Type 5-16	29300-2601C	010	¾" BSP	Flange			SK404-0001	29308-0000	22405-0001	SP2701-1006	X3004-095G
WESTERBEKE - USA											
Generator Sets											
8-10 kW	52010-2051	010	¾" NPT	Foot	x		SK404-0101	29308-0000	22405-0001	SP2701-1006	X3001-095F
10+ kW	52020-2031	020	¾" NPTF	Foot	x		SK405-0101	2995-0030	18653-0001	SP2701-1006	X3001-095F
ZEISE - GERMANY											
Kubota Twin	29460-2501	020	¾" BSP	Flange			SK401-0001	2995-0030	18653-0001	SP2701-1006	SP1002-01

For engines not listed
contact the factory

Cooling Pump Spares by
Make of Engine **Wa-Ze**

Flexible Impeller Pumps -